

WLS LIGHTING SYSTEMS

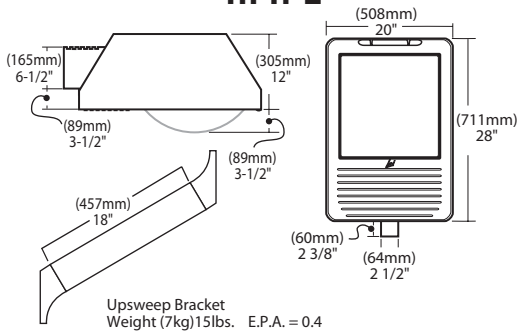
HFH SERIES

HORIZONTAL LAMP
CONTOURED / FLAT GLASS LENS

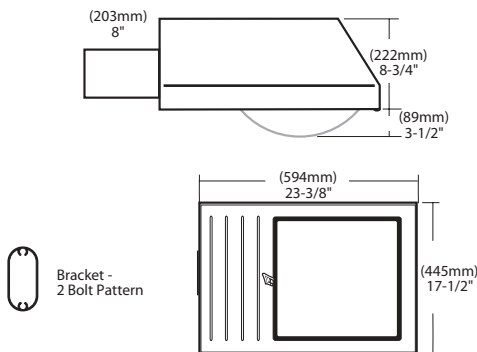


DIMENSIONS

HFH-L



HFH-M



IP65



SPECIFICATIONS

HOUSING - Rectangular shaped, multi-radiused, one-piece, die-cast aluminum with cast mounting arm. All hardware is stainless steel or electro-zinc plated steel.

DOOR FRAME - One-piece, die-cast aluminum door frame secures to the housing with two internal hinges. Two stainless steel captive door fasteners allow easy access. A one piece extruded silicone gasket seals the door frame against the housing. The standard housing / door seal design prevents external contaminants from entering the HFH-L Series, resulting in an IP65 rating.

LENS / GASKET - A tempered flat clear glass lens or contoured clear impact resistant glass lens is offered. A one piece extruded silicone gasket seals the lens to the die-cast aluminum door frame.

SOCKETS - Porcelain mogul based sockets. HFH-L sockets are factory pre-wired with a disconnect plug for the ballast, this must be ordered separately for the HFH-M. All sockets are pulse rated.

LIGHT SOURCES - Pulse Start Metal Halide, Natural White, Super Metal Halide, Metal Halide Reduced Envelope, and High Pressure Sodium. Clear lamp is supplied standard.

BALLASTS - High-power factor ballast with removable / hinged ballast tray. Pulse Start Metal Halide, Natural White, Metal Halide, Super Metal Halide and High Pressure Sodium fixture feature a CWA type ballast. All ballasts are designed for -20° F operation. Optional Quick Connect package includes supply wiring plus modular plugs for easy ballast wiring.

OPTICS - Type II (2), Type III (3), Type V (5) and Perimeter Forward Throw (FP). All HFH-L reflectors are field rotatable, enabling generous flexibility on distribution patterns, without fixture movement. HFH-M reflectors are not field rotatable. Photometric data is tested in accordance with IESNA guidelines.

BRACKETS - HFH-L - Cast mounting arm is flat for square pole applications. Fixture may also be mounted to round poles using the round pole plate adaptor accessory (RPP), which must be ordered separately. An extruded 6" arm extension is required for D90°, Q90°, T90° and TN120° fixture configurations. A locking nut secures two through bolts and a reinforcing plate to the pole, stabilizing it for fixture mounting.

HFH-M - An extruded radius 8" arm is shipped standard and is compatible with all fixture mounting configurations. The fixture may also be mounted to round poles using the round pole plate adaptor accessory (RPP), which must be ordered separately.

FINISH - Fixtures are finished with WLS DuraGrip® polyester powder coat finishing process. The DuraGrip® finish withstands extreme weather changes without cracking or peeling, and is guaranteed for five full years. Standard colors include bronze, black, platinum plus, buff, graphite, satin verde green, metallic silver and white.

Approved By: _____ Project Name: _____

Location: _____ Date: _____

P.O. Box 100519 | Fort Worth, TX 76185 | 800.633.8711 | Fax: 817.735.4824 | www.wslighting.com

WLS LIGHTING SYSTEMS

Consider the Impact!

HFH SERIES

HORIZONTAL LAMP
CONTOURED / FLAT GLASS LENS

ORDERING INFORMATION SELECT APPROPRIATE CHOICE FROM EACH COLUMN TO FORMULATE ORDER CODE. Refer to example below.

SERIES	DISTRIBUTION	LAMP WATTAGE	LIGHT SOURCE*	LENS	LAMP ORIENTATION	LINE VOLTAGE ⁵	LUMINAIRE FINISH	OPTIONS	ACCESSORIES
HFH-M	2 - Type II ¹⁰ 3 - Type III ¹⁰ 5 - Type V FP - Forward Throw Perimeter	100W	PSMH - Pulse Start Metal Halide (175W, 250W, 320W) PSMHR - Pulse Start Metal Halide Reduced (400W) CMH - Ceramic Metal Halide (150W) HPS - High Pressure Sodium (100W, 150W, 250W, 400W)	CT - Contoured Glass ⁴ FG - Flat Glass	H - Horizontal	480V MT - Multi Tap ⁶ TT - Tri-Tap ⁷	BRZ - Bronze BLK - Black PLT - Platinum Plus BUF - Buff WHT - White SVG - Satin Verde Green GPT - Graphite MSV - Metallic Silver CC - Custom Color	PCR - Photoelectric Control Receptacle ⁸ QC - Quick Connect Receptacle ¹⁰ GR - Ground Relamping ⁹ LL - Less Lamp TE - Toolless Entry TB - Terminal Block NO - No Option	PC - Photocell SF - Single Fusing DF - Double Fusing GS - External Glare Shield RPP - Round Pole Plate WM - Wall Mount EA - Extension Arm ¹¹ UB - Upsweep Bracket (for Round or Square poles) GLC - Ground Lamp Changer ⁹ NA - No Accessories
		150W 175W 250W 320W 400W							
HFH-L	3 - Type III 5 - Type V FP - Forward Throw Perimeter	250W 320W 400W 750W ^{1,3} 1000W ²	PSMH - Pulse Start Metal Halide HPS - High Pressure Sodium (250W, 400W, 750W) MHR - Metal Halide Reduced (1000W only)						
		250W 320W 350W 775W							

HFH-L 5 1000 MHR FG V MT BRZ NO PC
(EXAMPLE ORDER)

ORDER:
HFH-

FOOTNOTES:

- 1 - 750 Watt AF and AI are available with PSMH vertical only.
- 2 - Tri-Tap not available in 1000 Watt PSMH horizontal. Voltage must be specified.
- 3 - When ordering 750 Watt High Pressure Sodium, voltage must be specified.
- 4 - Use to match vertical appearance.
- 5 - For international voltages consult factory.
- 6 - MT - Multi Tap is shipped standard unless otherwise specified. Multi Tap consists of 120V, 208V, 240V, and 277V. Mutli Tap is pre-wired for highest voltage. Alternate voltage will require field rewiring.
- 7 - Tri-Tap is shipped standard for Canadian applications. Tri-Tap consists of 120V, 277V, and 347V. Tri-Tap is pre-wired for highest voltage. Alternate voltages will require field rewiring.
- 8 - Factory installed PCR requires field wiring for proper voltage. ON QC version, PCR is factory pre-wired for highest voltage. Alternate voltages will require field re-wiring. Photocell must be ordered separately, see accessories.
- 9 - Ground relamping option is available for vertical optics only. Maximum tool length 15 ft. See accessories for Ground Lamp Changer.
- 10 - Quick connect package includes removable ballast tray, modular plugs, and sealing grommets.
- 11 - Required for multiple mounting @ all 90° and 120° configurations.

* In accordance with the 2007 Energy Independence and Security Act (EISA), fixtures will no longer be available in Probe Start Metal Halide with wattages from 150 watts through 500 watts for new installations. Replacement parts for existing fixtures are still available.

Approved By: _____ Project Name: _____

Location: _____ Date: _____

WLS LIGHTING SYSTEMS

P.O. Box 100519 Fort Worth, TX 76185 800.633.8711 Fax: 817.735.4824 www.wslighting.com

Consider the Impact!