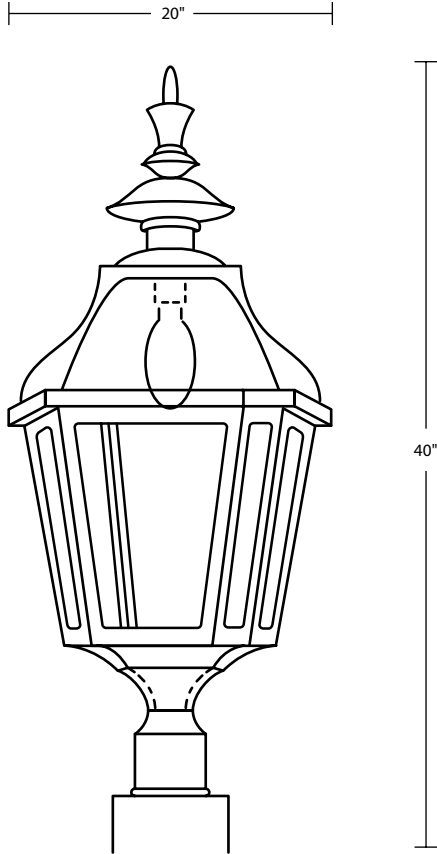


WLS LIGHTING SYSTEMS

858 DECORATIVE SERIES



Specify Pole

SPECIFICATIONS

HOUSING - Heavy wall cast aluminum frame and top.

LENS - Clear polycarbonate panels.

REFLECTOR - Segmented specular aluminum type V light distribution.

LENS - Clear tempered glass, sealed into a cast aluminum frame with silicone gasket. Lens frame is hinged and secured with two quarter turn fasteners.

LAMPS - Metal Halide, Pulse Start Metal Halide, High Pressure Sodium and Mercury Vapor.

BALLAST - High power factor. Specify voltage.

FINISH - Black polyester powder fuse coating.

ORDERING INFORMATION

SELECT APPROPRIATE CHOICE FROM EACH COLUMN TO FORMULATE ORDER CODE. Refer to example below.

SERIES	LAMP WATT.	LIGHT SOURCE*	LINE VOLTAGE	LUMINAIRE FINISH
858	70W 100W 150W 175W 250W	MH - Metal Halide PSMH - Pulse Start Metal Halide HPS - High Pressure Sodium V - Mercury Vapor	120V 208V 240V 277V 480V MT - Multi Tap	BRZ - Bronze BLK - Black PLT - Platinum BUF - Buff WHT - White GRN - Green CC - Custom Color

858

175

PSMH

MT

BRZ

(EXAMPLE ORDER)

ORDER :

WLS-858 _____

* In accordance with the 2007 Energy Independence and Security Act (EISA), fixtures will no longer be available in Probe Start Metal Halide with wattages from 150 watts through 500 watts for new installations. Replacement parts for existing fixtures are still available.

Approved By: _____ Project Name: _____

Location: _____ Date: _____

P.O. Box 100519 | Fort Worth, TX 76185 | www.wslighting.com

WLS LIGHTING SYSTEMS

Consider the Impact!