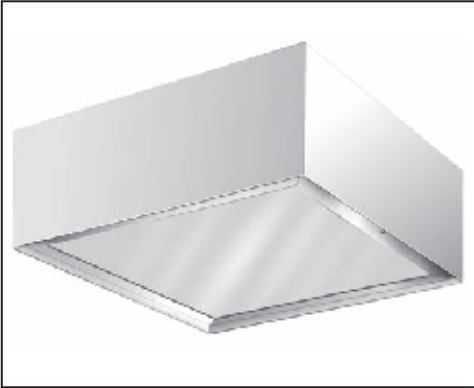
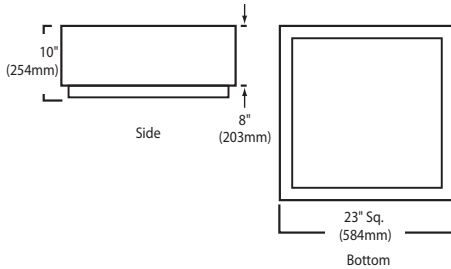


WLS LIGHTING SYSTEMS

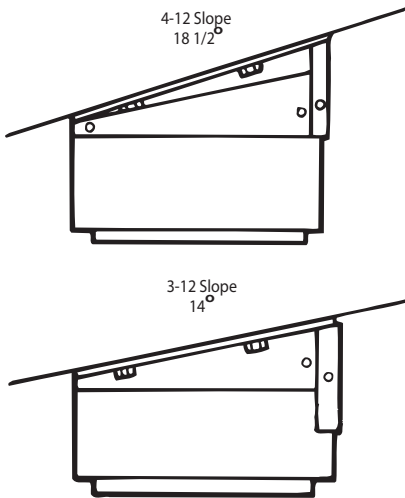
CM SERIES CANOPY



DIMENSIONS



SLOPE SURFACE ADAPTOR



SPECIFICATIONS

HOUSING - Each CM Series housing is formed from one-piece durable aluminum and internally welded at the corners. Corners are finished to produce a clean, sharp appearance while increasing housing strength and ensuring weather-tight construction.

DOOR FRAME - The one-piece formed aluminum door frame features one captive stainless fastener which allows easy access without loose hardware.

LENS / GASKET - Available with clear flat tempered glass or C73 diffused flat tempered glass. A continuous, one-piece EPDM gasket assures maximum sealing of the door frame and housing.

SOCKETS - Porcelain mogul-base sockets. All sockets are pulse-rated.

LIGHT SOURCES - Pulse Start Metal Halide, Full Spectrum, and High Pressure Sodium. Clear lamp is supplied as standard.

BALLASTS - High-power factor type CWA ballast is mounted to the housing reinforcing plate. Ballast is rated for -20° F operation.

MOUNTING - The CM Series fixture can be mounted to a noncombustible surface. Mount with 1/4" minimum space from ceiling, unless mounted to metal or concrete.

REFLECTORS / DISTRIBUTION PATTERNS - Available in a one-piece symmetrical reflector or high performance symmetrical reflector.

FINISH - Fixtures are finished with WLS DuraGrip® polyester powder coat finishing process. The DuraGrip finish withstands extreme weather changes without cracking or peeling, and is guaranteed for five full years. Standard colors include bronze, black, and white.

Approved By: _____ Project Name: _____

Location: _____ Date: _____

P.O. Box 100519 | Fort Worth, TX 76185 | 800.633.8711 | Fax: 817.735.4824 | www.wslighting.com

WLS LIGHTING SYSTEMS

Consider the Impact!

CM CANOPY SERIES

ORDERING INFORMATION SELECT APPROPRIATE CHOICE FROM EACH COLUMN TO FORMULATE ORDER CODE. Refer to example below.

SERIES	DISTRIBUTION	LAMP WATTAGE	LIGHT SOURCE*	LENS	LINE VOLTAGE ²	LUMINAIRE FINISH	OPTIONS	ACCESSORIES
CM	S - Symmetrical XL - High Performance Symmetrical	175W 250W 400W	PSMH - Pulse Start Metal Halide (175, 250, 400 watt)	F - Flat Clear Tempered Glass 73 - C73 Diffused Flat Tempered Glass ¹	480V MT - Multi Tap ³ TT - Tri-Tap ⁴	BRZ - Bronze BLK - Black WHT - White	LL - Less Lamp NO - No Options	SSA - Slope Surface Adaptor SF - Single Fusing DF - Double Fusing NA - No Accessories

CM **S** **250** **PSMH** **F** **MT** **BRZ** **NO** **NA**

(EXAMPLE ORDER)

ORDER:
WLS-CM

FOOTNOTES:

- 1 - The C73 Diffused Flat Tempered Glass is required for indoor use.
- 2 - Consult factory for international voltages. (120V, 277V, 347V)
- 3 - MT - Multi Tap is shipped standard unless otherwise specified. (Multi Tap consists of 120V, 208V, 240V, and 277V. Multi Tap is pre-wired for highest voltage. Alternate voltages will require field re-wiring.
- 4 - TT - Tri-Tap consists of 120V, 277V, and 347V. Tri-Tap is pre-wired for highest voltage. Alternate voltages will require field re-wiring.

* In accordance with the 2007 Energy Independence and Security Act (EISA), fixtures will no longer be available in Probe Start Metal Halide with wattages from 150 watts through 500 watts for new installations. Replacement parts for existing fixtures are still available.

Approved By: _____ Project Name: _____

Location: _____ Date: _____

WLS LIGHTING SYSTEMS