

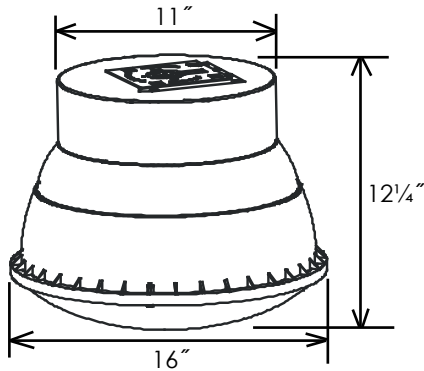
# WLS LIGHTING SYSTEMS

# GL SERIES

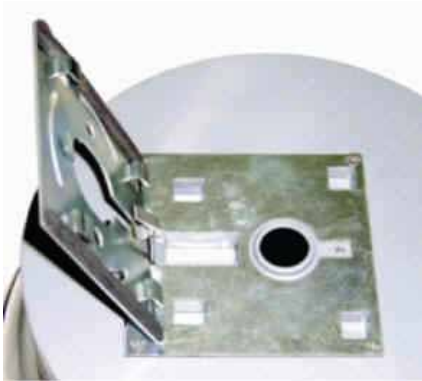
GARAGE LIGHTING



### ENGINEERING DIMENSIONS



### MOUNTING BRACKET



### SPECIFICATIONS

**HOUSING** - Heavy duty round die-cast aluminum housing, powder coat finish over a chromate conversion coating.

**LENS** - Clear polycarbonate prismatic optical refractor with gasket and hinged drop lens for easy relamping.

**REFLECTOR** - Two-piece aluminum reflector - upper section removes to create uplight.

**LIGHT SOURCES** - High Pressure Sodium, Full Spectrum, Pulse Start Metal Halide, and CFL - Compact Fluorescent.

**SOCKET** - HID: Porcelain 4KV pulse rated medium base with nickel-plated screw shell. CFL: Plug-in type, GX24Q-4.

**MOUNTING** - Easy hang bracket fits standard 4" electric box, allowing one-person installation.

**WARRANTY** - 1 year warranty on fixture.

### ORDERING INFORMATION

SELECT APPROPRIATE CHOICE FROM EACH COLUMN TO FORMULATE ORDER CODE.

SERIES	LAMP	LIGHT	LINE	FIXTURE	OPTIONS
	WATTAGE	SOURCE*	VOLTAGE <sup>1</sup>	COLOR	
GL	70 100 150	HPS - High Pressure Sodium	120V MT - Multi Tap <sup>2</sup>	WHT - White BRZ - Bronze SLV - Silver CC - Custom Colors	EM - Emergency Battery Backup <sup>3</sup> NO - No Options
	150 175	PSMH - Pulse Start Metal Halide FS - Full Spectrum	MT - Multi Tap <sup>2</sup>		
	42	CFL2 - Compact Fluorescent (2 Lamps) CFL4 - Compact Fluorescent (4 Lamps)	UE - Universal Electronic 120V / 277V		

**GL 150 PSMH MT BRZ NO**

(EXAMPLE ORDER)

**ORDER:  
WLS-GL**

### FOOTNOTES:

- 1 - Consult factory for international voltages.
- 2 - MT - Multi Tap is shipped standard unless otherwise specified (Multi Tap consists of 120V, 208V, 240V, and 277V. Multi Tap is pre-wired for highest voltage. Alternate voltages will require field rewiring).
- 3 - Emergency Battery Backup (EM) available only with Compact Fluorescent.

\* In accordance with the 2007 Energy Independence and Security Act (EISA), fixtures will no longer be available in Probe Start Metal Halide with wattages from 150 watts through 500 watts for new installations. Replacement parts for existing fixtures are still available.

Approved By: \_\_\_\_\_ Project Name: \_\_\_\_\_

Location: \_\_\_\_\_ Date: \_\_\_\_\_

P.O. Box 100519 | Fort Worth, TX 76185 | 800.633.8711 | Fax: 817.735.4824 | www.wslighting.com

**WLS LIGHTING SYSTEMS**

Consider the Impact!