

WLS LIGHTING SYSTEMS

HA SERIES

HORIZONTAL LAMP



SPECIFICATIONS

HOUSING The HA Series one-piece housing is designed to ensure weather-tight construction and is fabricated from .063" thick aluminum for HA-S & HA-M, and .125" for HA-L. Continuous heliarc welds at all seams produce a clean sharp appearance. The bottom access door provides ease of installation and servicing.

LENS AND FRAME The standard lens is flat impact resistant tempered glass, sealed with a poron gasket to a one-piece lens frame made of .063" thick die formed aluminum. The lens door frame is attached with 2 stainless steel hinges, is equipped with a spring-loaded fastener for easy access, and closes securely on a poron gasket preventing entry of moisture and insects.

FINISHES Fixtures are finished with a thermoset baked-on polyester powder finishing process to give the fixture an exceptionally attractive appearance. The polyester finish withstands extreme weather change without cracking or peeling. Standard and custom colors available.

REFLECTORS/DISTRIBUTION PATTERNS Fixtures are equipped with a state of the art Everbright™ polished aluminum segmented reflector available with a Forward Throw (AF) distribution pattern with a horizontal burn lamp.

LIGHT SOURCES Designed to operate up to 1000 Watt High Pressure Sodium and Metal Halide BT-37 reduced envelope. 1500 Watt Metal Halide lamps for larger housings.

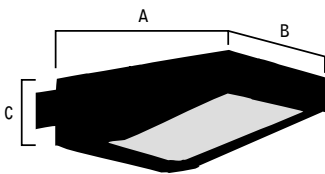
SOCKETS Glazed porcelain mogul-base sockets feature spring-reinforced contacts. Rated to 600V.

BALLAST CWA or HPF regulating auto transformers. Available in Metal Halide or High Pressure Sodium. Starting temperature is -20 F for Metal Halide and -40 F for High Pressure Sodium. Maximum wattage is 1500W.

BRACKETS Quick Fit Arm: are fabricated to fit any size tenon or pole top. Fixtures are manufactured with a fixed-arm which easily slips into the quick fit adapter making field installation SIMPLE. **Bolt On Arm:** 6" x 2" x 10" extruded steel arms are an option.

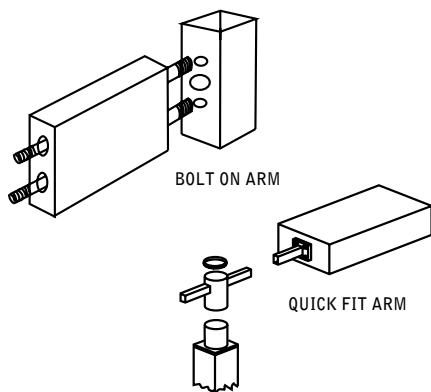


DIMENSIONS



	A	B	C	EPA
HA-S	20"	14"	7"	1.3
HA-M	25"	21"	9"	2.2
HA-L	29"	21"	10"	2.7

MOUNTING BRACKETS



Approved By: _____

Project Name: _____

Location: _____

Date: _____

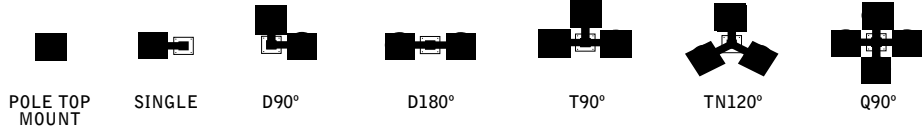
WLS LIGHTING SYSTEMS
MANUFACTURING SINCE 1969

P.O. Box 100519 ■ Fort Worth, TX 76185
800.633.8711 ■ Fax: 817.735.4824 ■ www.wslighting.com

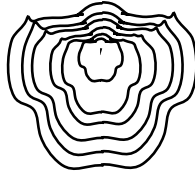
HA SERIES

HORIZONTAL LAMP

FIXTURE MOUNTING CONFIGURATIONS



OPTICS



FORWARD THROW (AF)

NOTE: Consult factory for accurate optics.

ORDERING INFORMATION

SELECT APPROPRIATE CHOICE FROM EACH COLUMN TO FORMULATE ORDER CODE. Refer to example below.

LUMINAIRE PREFIX	DISTRIBUTION	LAMP WATTAGE	LIGHT SOURCE	LENS	LINE VOLTAGE	LUMINAIRE FINISH	OPTIONS
HA-S	FP - Perimeter Forward Throw	100W	MH - Metal Halide	FG - Flat Glass (Clear Tempered Glass)	480V	BRZ - Bronze BLK - Black PLT - Platinum BUF - Buff WHT - White GRN - Green CC - Custom Color	LL - Less Lamp
	AF - Automotive Forward	150W	SMH - Super Metal Halide				GS - Glare Shield
		175W	HPS - High Pressure Sodium				BKT - WM - Wall Mount Plate
HA-M	FP - Perimeter Forward Throw	320W	MH - Metal Halide 250 Watt				QF - Quick Fit Arm Mount
	AF - Automotive Forward	400W	SMH - Super Metal Halide				QR - Quartz Restrike
			PSMH - Pulse-Start Metal Halide				PC - Photo Cell
HA-L	FP - Perimeter Forward Throw	750W	MH - Metal Halide				SF - Single Fusing
	AF - Automotive Forward	1000W	SMH - Super Metal Halide				DF - Double Fusing
		1500W	PSMH - Pulse-Start Metal Halide				NO - No Options
			HPS - High Pressure Sodium ¹ (1500W available in MH only)				

HA-L AF 1000 MH CT MT BRZ NO
(EXAMPLE ORDER)

ORDER:

WLS

NOTE:

1. Voltage for 750W High Pressure Sodium must be specified.
2. Consult factory for international voltages. (120, 277, 347 Voltage)
3. MT - Multi Tap is shipped standard unless otherwise specified.
(Multi Tap consists of 120V, 208V, 240V, and 277V. Multi Tap is pre-wired for highest voltage. Alternate voltages will require field re-wiring.)

Approved By: _____

Project Name: _____

Location: _____

Date: _____

WLS LIGHTING SYSTEMS
MANUFACTURING SINCE 1969

P.O. Box 100519 ■ Fort Worth, TX 76185
800.633.8711 ■ Fax: 817.735.4824 ■ www.wslighting.com