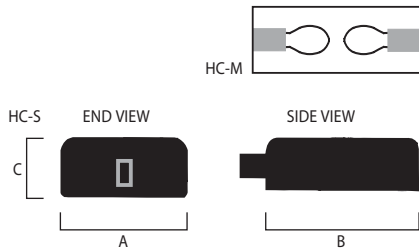


WLS LIGHTING SYSTEMS

HC VERTICAL \ HORIZONTAL LAMP SERIES

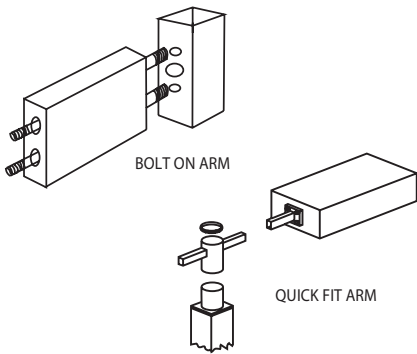


DIMENSIONS



| | A | B | C | EPA |
|------|-----|-----|-----|----------------|
| HC-S | 21" | 27" | 10" | One Lamp 2.6 |
| HC-M | 39" | 21" | 10" | Two Lamp 3.4 |
| HC-L | 60" | 21" | 10" | Three Lamp 4.9 |

MOUNTING BRACKETS



listed for wet locations

SPECIFICATIONS

HOUSING - Fabricated of .125" thick extruded aluminum. This design is ideal for site, auto dealerships, tennis and other sports court lighting. The bottom access door provides ease of installation and servicing.

LENS AND FRAME - Lens is available in contoured and flat impact resistant tempered glass, sealed with a poron gasket to a one-piece lens frame made of heavy gauge extruded aluminum. The lens door frame is attached with 2 stainless steel hinges, is equipped with a spring-loaded fastener for easy access, and closes securely on a poron gasket preventing the entry of moisture and insects.

SOCKETS - Glazed porcelain mogul-base sockets feature spring-reinforced contacts. Rated to 600V.

LIGHT SOURCES - Pulse Start Metal Halide, Full Spectrum, Metal Halide, Super Metal Halide, and High Pressure Sodium (HC 2-Double, HC 3-Triple). Clear lamp is supplied as standard.

BALLASTS - CWA or HPF regulating auto transformers. Starting temperature is -20° F for Metal Halide and -40° F for High Pressure Sodium. Maximum wattage is 1000W.

BRACKETS - Bolt-On Arm: 6" x 2" x 10" extruded aluminum arms are shipped standard. **Quick-Fit Arm:** Fabricated to fit any size tenon or pole top. Fixtures are manufactured with a fixed-arm which easily slips into the quick-fit adapter making field installation simple.

REFLECTORS - Fixtures are equipped with a state of the art polished aluminum segmented reflector available in five distribution patterns. Vertical burn lamps: Type II (2), Type III (3), Type V (5), Perimeter Forward Throw (FP), and Automotive Forward Throw (AF).

FINISH - Fixtures are finished with a thermoset baked-on polyester powder finishing process, to give the fixture an exceptionally attractive appearance. The polyester finish withstands extreme weather changes without cracking or peeling. Available in bronze, black, platinum, buff, white and green. Custom colors available upon request.

Approved By: _____ Project Name: _____

Location: _____ Date: _____

P.O. Box 100519 | Fort Worth, TX 76185 | 800.633.8711 | Fax: 817.735.4824 | www.wslighting.com

WLS LIGHTING SYSTEMS

Consider the Impact!

HC SERIES

VERTICAL \ HORIZONTAL LAMP

ORDERING INFORMATION SELECT APPROPRIATE CHOICE FROM EACH COLUMN TO FORMULATE ORDER CODE. Refer to example below.

| SERIES | DISTRIBUTION | LAMP WATTAGE | LIGHT SOURCE* | LENS | LINE VOLTAGE ² | LUMINAIRE FINISH | OPTIONS |
|-------------|---|-------------------|---|---------------------------|----------------------------------|----------------------------|---------------------------------|
| HC-S | 2 - Type II | 250W | PSMH - Pulse Start Metal Halide | CT - Contoured | 480V | BRZ - Bronze | LL - Less Lamp |
| HC-M | 3 - Type III | 320W | | | | | |
| HC-L | 5 - Type V | 400W | HPS - High Pressure Sodium | FS - Full Spectrum | TT - Tri Tap ⁴ | PLT - Platinum Plus | GS - Glare Shield |
| | FP - Perimeter Forward Throw | 750W | | | | | BUF - Buff |
| | AF - Automotive Forward Throw | 1000W | | | | WHT - White | QF - Quick Fit Arm Mount |
| | | 250W | | | | GRN - Green | QR - Quartz Restrike |
| | | 320W | | | | CC - Custom Color | PC - Photocell |
| | | 350W | | | | | SF - Single Fusing |
| | | 400W ⁵ | | | | | DF - Double Fusing |
| | | 775W | | | | | NO - No Options |

HC-M **3** **150** **PSMH** **FG** **120** **BRZ** **NO**
 (EXAMPLE ORDER)

ORDER:
WLS-WMK

FOOTNOTES:

- 1 - Voltage for 750W High Pressure Sodium must be specified.
- 2 - Consult factory for international voltages. (120V, 277V, 347V)
- 3 - MT - Multi Tap is shipped standard unless otherwise specified. (Multi Tap consists of 120V, 208V, 240V, and 277V. Multi Tap is pre-wired for highest voltage. Alternate voltages will require field re-wiring.
- 4 - TT- Tri-Tap consists of 120V, 277V, and 347V. Tri-Tap is pre-wired for highest voltage. Alternate voltages will require field re-wiring.
- 5 - Vertical lamp only.

* In accordance with the 2007 Energy Independence and Security Act (EISA), fixtures will no longer be available in Probe Start Metal Halide with wattages from 150 watts through 500 watts for new installations. Replacement parts for existing fixtures are still available.

Approved By: _____ Project Name: _____

Location: _____ Date: _____

WLS LIGHTING SYSTEMS