

WLS LIGHTING SYSTEMS

HF HORIZONTAL/VERTICAL LAMP SERIES



SPECIFICATIONS

HOUSING The HF Series housing is designed to ensure weather-tight construction and is fabricated from .063" thick aluminum. Continuous heliarc welds at all seams produce a clean sharp appearance. The bottom access door provides ease of installation and servicing.

LENS AND FRAME Lenses are flat or contoured impact resistant tempered glass, sealed with a poron gasket to a one-piece lens frame made of .063" thick die formed aluminum. The lens door frame is attached with 2 stainless steel hinges, is equipped with a spring-loaded fastener for easy access, and closes securely on a poron gasket preventing entry of moisture and insects.

FINISHES Fixtures are finished with a thermoset baked-on polyester powder finishing process to give the fixture an exceptionally attractive appearance. The polyester finish withstands extreme weather change without cracking or peeling. Standard and custom colors available.

REFLECTORS/DISTRIBUTION PATTERNS Fixtures are equipped with a state-of-the-art Everbright™ polished aluminum segmented reflector available in five distribution patterns with horizontal or vertical burn lamps: Type II (2), Type III (3), Type V (5), Perimeter Forward Throw (FP) and Automotive Forward Throw (AF).

LIGHT SOURCES Designed to operate up to 1000 Watt High Pressure Sodium and Metal Halide.

SOCKETS Glazed porcelain mogul-base sockets feature spring-reinforced contacts. Rated to 600V.

BALLAST CWA or HPF regulating auto transformers. Available in Metal Halide or High Pressure Sodium. Starting temperature is -20 F for Metal Halide and -40 F for High Pressure Sodium. Maximum wattage is 1000W.

BRACKETS Quick Fit Arm: are fabricated to fit any size tenon or pole top. Fixtures are manufactured with a fixed-arm which easily slips into the quick fit adapter making field installation SIMPLE. **Bolt On Arm:** 6" x 2" x 10" extruded steel arms are shipped standard.

 LISTED
LISTED for wet locations.

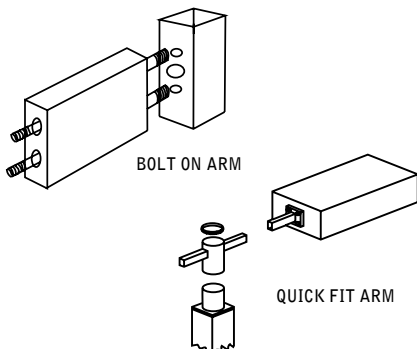
DIMENSIONS

ARM MOUNT



	A	B	C	EPA
HF-S	22"	11"	18"	2.3
HF-L	33"	12"	22"	3.5

MOUNTING BRACKETS



Approved By: _____

Project Name: _____

Location: _____

Date: _____

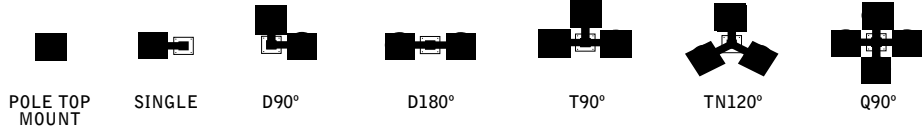
WLS LIGHTING SYSTEMS
MANUFACTURING SINCE 1969

P.O. Box 100519 ■ Fort Worth, TX 76185
800.633.8711 ■ Fax: 817.735.4824 ■ www.wslighting.com

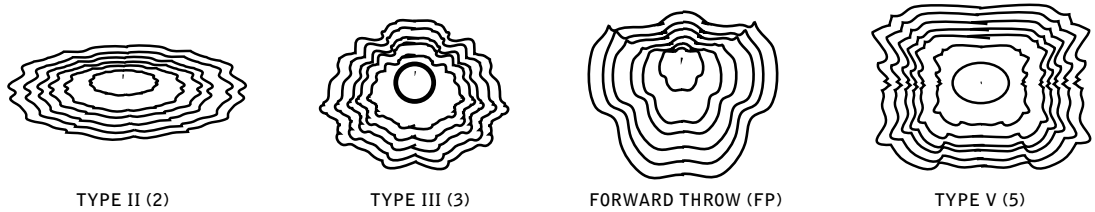
HF SERIES

HORIZONTAL/VERTICAL LAMP

FIXTURE MOUNTING CONFIGURATIONS



OPTICS



NOTE: Based on MH vertical burn. Consult factory for accurate optics.

ORDERING INFORMATION

SELECT APPROPRIATE CHOICE FROM EACH COLUMN TO FORMULATE ORDER CODE. Refer to example below.

LUMINAIRE PREFIX	DISTRIBUTION	LAMP WATTAGE	LIGHT SOURCE	LENS	LINE VOLTAGE	LUMINAIRE FINISH	OPTIONS
HF-S	2 - Type II	175W	MH - Metal Halide	CT - Contoured	480V	BRZ - Bronze	LL - Less Lamp
	3 - Type III	250W	SMH - Super Metal Halide	FG - Flat Glass (Clear Tempered Glass)	MT - Multi Tap ³	BLK - Black	HL - Horizontal Lamp
HF-L	FP - Perimeter Forward Throw	320W	PSMH - Pulse-Start Metal Halide		TT - Tri Tap ²	PLT - Platinum	GS - Glare Shield
	5 - Type V	400W	HPS - High Pressure Sodium			BUF - Buff	BKT - WM - Wall Mount Plate
	AF - Automotive Forward					WHT - White	QF - Quick Fit Arm Mount
						GRN - Green	QR - Quartz Restrike
						CC - Custom Color	PC - Photo Cell
							SF - Single Fusing
							DF - Double Fusing
							NO - No Options

HF-L 5 1000 MHR CT MT BRZ NO
(EXAMPLE ORDER)

ORDER:

WLS

NOTE:

1. Voltage for 750W High Pressure Sodium must be specified.
2. Consult factory for international voltages. (120, 277, 347 Voltage)
3. MT - Multi Tap is shipped standard unless otherwise specified.
(Multi Tap consists of 120V, 208V, 240V, and 277V. Multi Tap is pre-wired for highest voltage. Alternate voltages will require field re-wiring.)

Approved By: _____

Project Name: _____

Location: _____

Date: _____

WLS LIGHTING SYSTEMS
MANUFACTURING SINCE 1969

P.O. Box 100519 ■ Fort Worth, TX 76185
800.633.8711 ■ Fax: 817.735.4824 ■ www.wslighting.com