

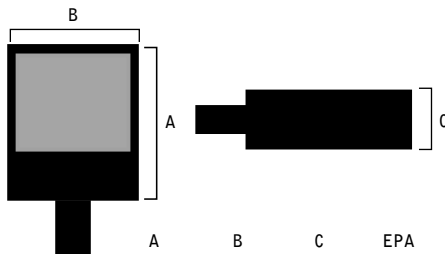
**WLS LIGHTING SYSTEMS**

# HG SERIES

HORIZONTAL/VERTICAL LAMP

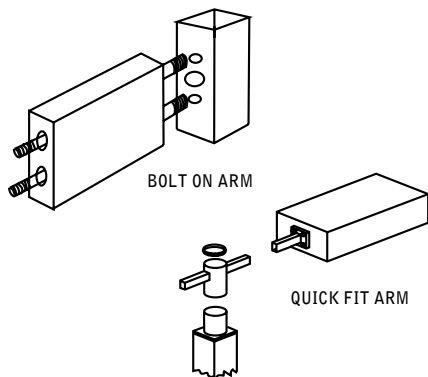


## DIMENSIONS



	A	B	C	EPA
HG-S	22"	15"	8"	1.6
HG-L	27"	21 13/16"	9 1/2"	2.5

## MOUNTING BRACKETS



Approved By: \_\_\_\_\_

Project Name: \_\_\_\_\_

Location: \_\_\_\_\_

Date: \_\_\_\_\_

## SPECIFICATIONS

**HOUSING** The HG Series one-piece housing is designed to ensure weather-tight construction and is fabricated from .063" thick aluminum. Continuous heliarc welds at all seams produce a clean sharp appearance. The bottom access door provides ease of installation and servicing.

**LENS AND FRAME** The standard lens is flat impact resistant tempered glass, sealed with a poron gasket to a one-piece lens frame made of .063" thick die formed aluminum. The lens door frame is attached with 2 stainless steel hinges, is equipped with a spring-loaded fastener for easy access, and closes securely on a poron gasket preventing entry of moisture and insects.

**FINISHES** Fixtures are finished with a thermoset baked-on polyester powder finishing process to give the fixture an exceptionally attractive appearance. The polyester finish withstands extreme weather change without cracking or peeling. Standard and custom colors available.

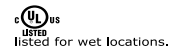
**REFLECTORS/DISTRIBUTION PATTERNS** Fixtures are equipped with a state of the art Everbright™ polished aluminum segmented reflector available in five distribution patterns with horizontal burn lamps: Type II (2), Type III (3), Type V (5), Perimeter Forward Throw (FP) and Automotive Forward Throw (AF).

**LIGHT SOURCES** Designed to operate up to 400 Watt High Pressure Sodium and Metal Halide BT-37 lamps for smaller housing and 1000 Watt lamps for larger housings.

**SOCKETS** Glazed porcelain mogul-base sockets feature spring-reinforced contacts. Rated to 600V.

**BALLAST** CWA or HPF regulating auto transformers. Available in Metal Halide and High Pressure Sodium. Starting temperature is -20 F for Metal Halide and -40 F for High Pressure Sodium. Maximum wattage is 1000W.

**BRACKETS Quick Fit Arm:** are fabricated to fit any size tenon or pole top and are shipped standard. Fixtures are manufactured with a fixed-arm.  
**Bolt On Arm:** 6" x 2" x 10" extruded steel arms are optional.



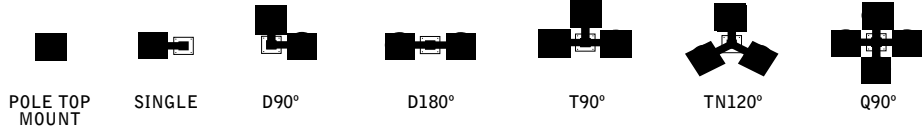
**WLS LIGHTING SYSTEMS**  
MANUFACTURING SINCE 1969

P.O. Box 100519 ■ Fort Worth, TX 76185  
800.633.8711 ■ Fax: 817.735.4824 ■ [www.wslighting.com](http://www.wslighting.com)

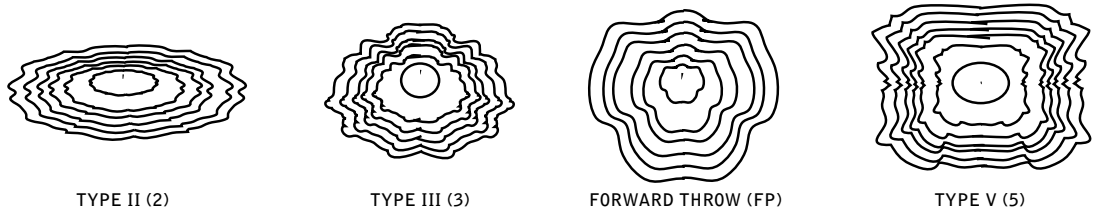
# HG SERIES

HORIZONTAL / VERTICAL LAMP

## FIXTURE MOUNTING CONFIGURATIONS



## OPTICS



NOTE: Based on 1000 Watt MH vertical burn. Consult factory for accurate optics.

## ORDERING INFORMATION

SELECT APPROPRIATE CHOICE FROM EACH COLUMN TO FORMULATE ORDER CODE. Refer to example below.

LUMINAIRE PREFIX	DISTRIBUTION	LAMP WATTAGE	LIGHT SOURCE	LENS	LINE VOLTAGE	LUMINAIRE FINISH	OPTIONS
HG-S	FP - Perimeter Forward Throw	50W	SMH - Super Metal Halide MH - Metal Halide HPS - High Pressure Sodium	FG - Flat Glass CT - Contoured (Clear Tempered Glass)	480V MT - Multi Tap <sup>3</sup> TT - Tri Tap <sup>2</sup>	BRZ - Bronze BLK - Black PLT - Platinum BUF - Buff WHT - White GRN - Green CC - Custom Color	RPP - Round Pole Plate LL - Less Lamp BKT-WM - Wall Mount Plate GS - Glare Shield GR - Tool-less Entry Ground Relamp (Vertical only) PC - Photo Cell SF - Single Fusing DF - Double Fusing NO - No Options
	2 - Type II 3 - Type III 5 - Type V AF - Automotive Forward	70W 100W 150W 175W 250W 400W					
HG-L	FP - Perimeter Forward Throw	50W					
	2 - Type II 3 - Type III 5 - Type V AF - Automotive Forward	70W 100W 150W 175W 250W 400W 1000W					

**HG-S**    **5**    **400**    **MH**    **FG**    **MT**    **BRZ**    **NO**  
 (EXAMPLE ORDER)

## ORDER:

## WLS

### NOTE:

- Forward Throw reflectors are field-rotatable.
- Consult factory for international voltages. (120, 277, 347 Voltage)
- MT - Multi Tap is shipped standard unless otherwise specified.  
(Multi Tap consists of 120V, 208V, 240V, and 277V. Multi Tap is pre-wired for highest voltage. Alternate voltages will require field re-wiring.)

Approved By: \_\_\_\_\_

Project Name: \_\_\_\_\_

Location: \_\_\_\_\_

Date: \_\_\_\_\_

**WLS LIGHTING SYSTEMS**  
MANUFACTURING SINCE 1969

P.O. Box 100519 ■ Fort Worth, TX 76185  
800.633.8711 ■ Fax: 817.735.4824 ■ [www.wslighting.com](http://www.wslighting.com)