

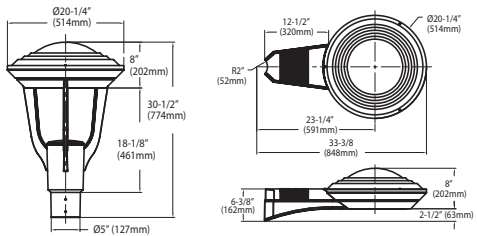
WLS LIGHTING SYSTEMS



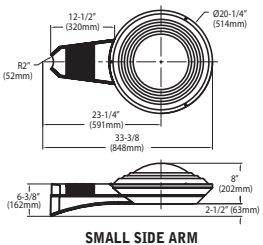
Flat-lensed fixtures meet IESNA full cutoff classification.



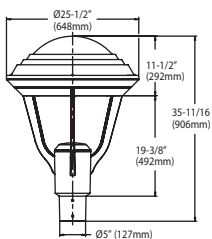
DIMENSIONS



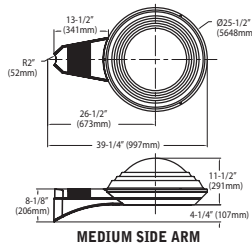
SMALL POST TOP



SMALL SIDE ARM



MEDIUM POST TOP



MEDIUM SIDE ARM

IP65



UL LISTED wet location

HI SERIES

HORIZONTAL / VERTICAL LAMPS
FLAT GLASS LENS

SPECIFICATIONS

HOUSING - Modular fixture is available in small or medium sizes and two mounting configurations. One-piece housing / support frame is die-cast aluminum. Combination mounting arm / ballast enclosure on side mount version is die-cast with integral ribs for heat dissipation. Ballast enclosure, access cover and support arms for post top versions are die-cast aluminum.

HOUSING TOP CAP - Removable spun aluminum cap, which provides "Top Access" for relamping is retained by captive stainless steel fasteners and safety cables. Housing and top cap interface is sealed with a one piece extruded silicone gasket. Toolless entry option is available.

LENS - Lens is a flat tempered glass, which is sealed to the die-cast aluminum housing with an extruded, high temperature, silicone gasket and retained internally by zinc plated steel clips.

LAMPHOLDER - Matched to the lamp. Glazed porcelain in either medium or mogul base, 4KV pulse rated, with spring center contact. CFL fixtures have one piece, 4-pin, thermoplastic lampholders.

LIGHT SOURCES - Pulse Start Metal Halide, Natural White, Metal Halide Reduced Envelope, High Pressure Sodium, and CFL - Compact Fluorescent.

BALLASTS - Ballast is mounted on a removable power tray. Toolless option is available. Electronic HID ballasts are available in select wattages for 120 - 277V current. Dimmable Electronic HID ballasts are available in select wattages for 120 - 277V current. Core and Coil ballasts are high-power factor designed for -20° F operation. CFL ballasts are universal electronic, with 0° F starting, which accommodate current from 120V - 277V in either 50HZ or 60HZ for worldwide operation. Terminal block, for easy wiring, is standard with all magnetic ballast types.

OPTICS - Four available distributions - Type II, III, V and FT - Forward Throw for perimeter applications. Reflectors may be rotated in 90° increments. Lamps are horizontally or vertically oriented.

FASTENERS - All exposed fasteners are black oxide coated stainless steel. Internal fasteners are stainless steel or zinc electro-plated steel.

FINISH - Fixtures are finished with WLS DuraGrip® polyester powder coat finishing process. The DuraGrip® finish withstands extreme weather changes without cracking or peeling, and is guaranteed for five full years. Standard colors include bronze, black, platinum plus, buff, graphite, satin verde green, metallic silver and white. Custom colors available upon request.

SHIELDING - Internal house side shields, rock shields and vandal guards are available.

Approved By: _____ Project Name: _____

Location: _____ Date: _____

P.O. Box 100519 | Fort Worth, TX 76185 | 800.633.8711 | Fax: 817.735.4824 | www.wslighting.com

WLS LIGHTING SYSTEMS

Consider the Impact!

HI SERIES

HORIZONTAL / VERTICAL LAMP
FLAT GLASS LENS

ORDERING INFORMATION SELECT APPROPRIATE CHOICE FROM EACH COLUMN TO FORMULATE ORDER CODE. Refer to example below.

SERIES	DISTRIBUTION	LAMP WATTAGE	LIGHT SOURCE*	LENS	ORIENTATION	LINE VOLTAGE	ORIENTATION	LUMINAIRE FINISH	OPTIONS
HI-S	2 - Type II 3 - Type III 5 - Type V FT - Forward Throw	39W 50W 70W 100W 150W 175W ¹	HPS - High Pressure Sodium EMH - Metal Halide with Electronic Ballast	F - Flat	H - Horizontal V - Vertical	480 MT - Multi Tap TT - Tri-Tap (347) UE (120-277) ⁴ UEDIM (120-277) ⁴	PT - Post Top SA4 - Side Arm Mount for 4" Poles SA5 - Side Arm Mount for 5" Poles WM - Wall Mount	BLK - Black BRZ - Bronze BUF - Buff GPT - Graphite MSV - Metallic Silver SVG - Satin Verde Green WHT - White PLP - Platinum Plus	LL - Less Lamp EQ - Emergency Quartz (See per ate Circuit) SQN - Standby Quartz (Non-Time Delay) SQT - Standby Quartz (Time Delay) PC120 - 120V Photocell PCHV - 208 - 277 Photocell TE - Toolless Entry NO - No Options
	5 - Type V	26W 32W 42W 57W	CFL - Compact Fluorescent ³ CFL2 - Twin Compact Fluorescent ³						
HI-M	2 - Type II 3 - Type III 5 - Type V FT - Forward Throw	250W 320W 400W	HPS - High Pressure Sodium PSMH - Pulse Start Metal Halide ²	F - Flat	H - Horizontal V - Vertical	480 MT - Multi Tap TT - Tri-Tap (347) UE (120-277) ⁴ UEDIM (120-277) ⁴	PT - Post Top SA4 - Side Arm Mount for 4" Poles SA5 - Side Arm Mount for 5" Poles WM - Wall Mount	BLK - Black BRZ - Bronze BUF - Buff GPT - Graphite MSV - Metallic Silver SVG - Satin Verde Green WHT - White PLP - Platinum Plus	LL - Less Lamp EQ - Emergency Quartz (See per ate Circuit) SQN - Standby Quartz (Non-Time Delay) SQT - Standby Quartz (Time Delay) PC120 - 120V Photocell PCHV - 208 - 277 Photocell TE - Toolless Entry NO - No Options
		250W 320W 350W 400W ⁶	NW - Nautral White ⁵						

ACCESSORIES

- FK120, FK277, FK347 - Single Fusing
- DFK208, DFK240, DFK480 - Double Fusing
- IGS - Internal Glare Shield
- VG - Vandal Guard
- RG - Rock Guard (HI-S only)
- SPA - Square Pole Adapter
- WM - Wall Mount (PT only)
- BK SPT BO - Small Bolt on Bracket (PT only)
- BK MPT BO - Medium Bolt on Bracket (PT only)
- NA - No Accessories

HI-M 5 400 MHR F H MT PT BRZ NO/NA
(EXAMPLE ORDER)

ORDER:
HI-

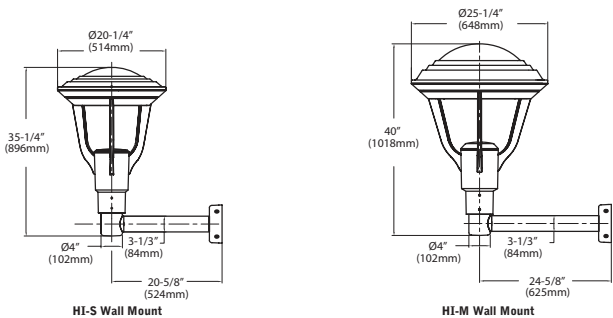
FOOTNOTES:

- 1 - MH and EMH only.
- 2 - Horizontal lamp only.
- 3 - Available only with UE voltage ballast.
- 4 - Available only with 39W-175W EMH 26W-57W CFL and 250W-400W PSMH.
- 5 - Not available with UEDIM.
- 6 - Vertical lamp only.

* In accordance with the 2007 Energy Independence and Security Act (EISA), fixtures will no longer be available in Probe Start Metal Halide with wattages from 150 watts through 500 watts for new installations. Replacement parts for existing fixtures are still available.

LUMINAIRE EPA CHART

Configuration	Mounting Style	Small Flat Lens	Medium Flat Lens
S - Single	PT	1.0	1.2
D-180	PT	2.0	2.5
S - Single	SA	1.0	1.3
D-180	SA	2.0	2.5
D-90	SA	1.7	2.2
T-120	SA	2.8	3.4
T-90	SA	2.5	3.4
Q-90 Quad	SA	3.2	4.0



Approved By: _____ Project Name: _____

Location: _____ Date: _____

WLS LIGHTING SYSTEMS