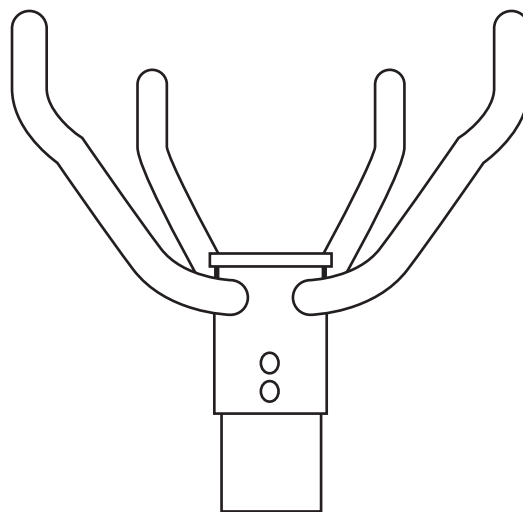
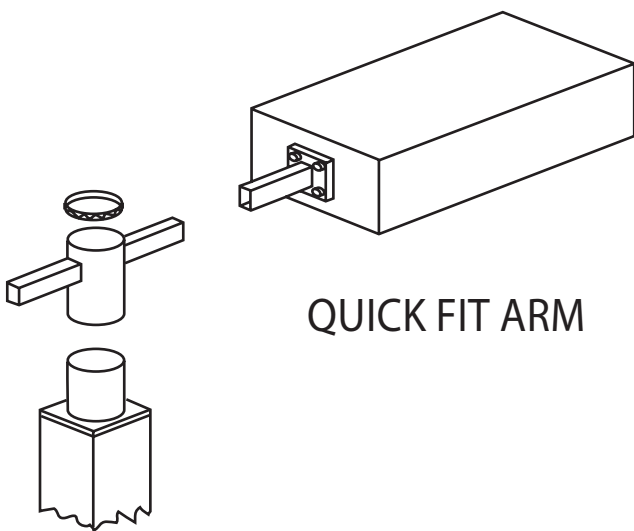


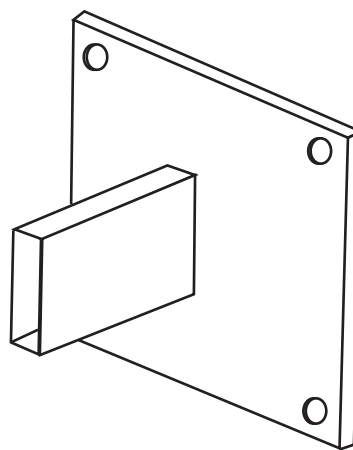
BOLT ON ARM*



POLE TOP MOUNT



QUICK FIT ARM



WALL MOUNT

*Bolt on arm comes as standard, specify alternate bracket when ordering.

Approved By: _____ Project Name: _____

Location: _____ Date: _____

P.O. Box 100519 | Fort Worth, TX 76185 | 800.633.8711 | Fax: 817.735.4824 | www.wslighting.com

WLS LIGHTING SYSTEMS

Consider the Impact!