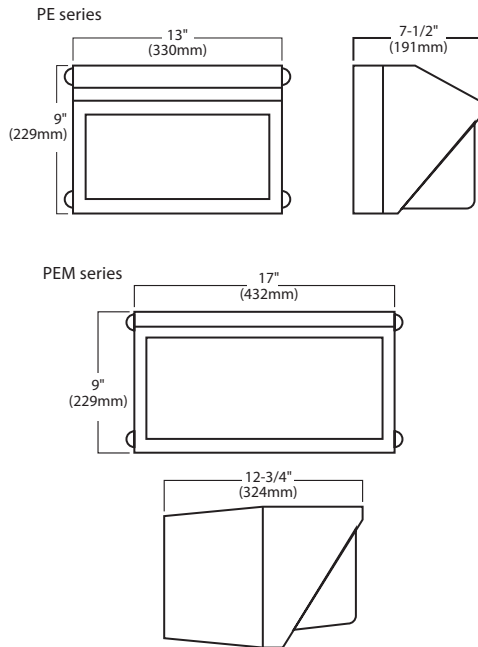


# WLS LIGHTING SYSTEMS

# WALL PACK PE SERIES



## DIMENSIONS



## SPECIFICATIONS

**HOUSING** - The one-piece die-cast housing is available in small (PE) and medium (PEM). The one-piece housing gives a clean appearance while increasing housing strength and ensuring weather-tight construction.

**WALL MOUNT** - Each PE series fixture is shipped complete with cast-in drilling templates and plugged, threaded 1/2" conduit outlets for installation convenience. Not recommended for ceiling mounting.

**LENS / GASKET** - A borosilicate prismatic pressed glass lens is sealed to the lens frame with silicone sealant. The die-cast aluminum lens frame is hinged for easy frontal servicing. The lens frame has a one-piece silicone continuous gasket for maximum sealing to the housing.

**DOOR FRAME** - Door fasteners have two captive brass screws to ensure proper locking .

**FINISHES** - Fixtures are finished with WLS DuraGrip® polyester powder coat finishing process. The DuraGrip® finish withstands extreme weather changes without cracking or peeling, and is guaranteed for five full years. Standard colors include bronze, black, platinum plus, and white

**REFLECTORS / DISTRIBUTION PATTERNS** - The PE series fixture is offered with wide beam distribution. The hammertone reflector ensures maximum photometric performance. Photometric data is tested in accordance with IESNA guidelines.

**LIGHT SOURCES** - Pulse Start Metal Halide. Full Spectrum ,Metal Halide or High Pressure Sodium. Clear lamp is supplied as standard.

**SOCKETS** - Porcelain medium-based sockets are supplied with PE 100 watt MH, and 100, 150 watt HPS. PE 175 watt MH and all PEM are supplied with porcelain mogul-based sockets. All sockets feature a nickel-plated lamp grip screw shell.

**BALLASTS** - All high-power factor type ballasts are rated for -20° F operation.

### SHIPPING WEIGHTS - PE series

Catalog Number	Est. Weight (kg/lbs.)	Length (mm/in.)	Width (mm/in.)	Height (mm/in.)
PE	10/21	508/20	381/15	343/13.5
PEM	15/32	559/22	330/13	533/21

Approved By: \_\_\_\_\_ Project Name: \_\_\_\_\_

Location: \_\_\_\_\_ Date: \_\_\_\_\_

P.O. Box 100519 | Fort Worth, TX 76185 | 800.633.8711 | Fax: 817.735.4824 | www.wslighting.com

**WLS** LIGHTING SYSTEMS

Consider the Impact!

# PE SERIES

WALL PACK

## ORDERING INFORMATION SELECT APPROPRIATE CHOICE FROM EACH COLUMN TO FORMULATE ORDER CODE. Refer to example below.

SERIES	DISTRIBUTION	LAMP WATTAGE	LIGHT SOURCE*	LENS	LINE VOLTAGE <sup>3</sup>	LUMINAIRE FINISH	OPTIONS	ACCESSORIES
PE	WB - Wide Beam	100W 150W 175W	PSMH - Pulse Start Metal Halide MH - Metal Halide HPS - High Pressure Sodium	PG - Pressed Glass	480V MT - Multi Tap <sup>2</sup> TT - Tri-Tap <sup>3</sup>	BRZ - Bronze BLK - Black PLP - Platinum Plus WHT - White CC - Custom Color	LL - Less Lamp NO - No Options	PC - External Photoelectric Control PVS - Polycarbonate Vandal Shield WGS - Steel Wire Guard (Small) WGM - Steel Wire Guard (Medium) SF - Single Fusing <sup>4</sup> DF - Double Fusing <sup>4</sup> NA - No Accessories
PEM	WB - Wide Beam	250W 320W 400W	PSMH - Pulse Start Metal Halide MH - Metal Halide HPS - High Pressure Sodium					
		250W 320W	FS - Full Spectrum					

PEM WB 400 MH PG MT BRZ NO NA  
(EXAMPLE ORDER)

ORDER:  
WLS-PE

### FOOTNOTES:

- 1 - For international voltages, consult factory.
- 2 - MT - Multi Tap is shipped standard unless otherwise specified. Multi Tap consists of 120V, 208V, 240V, and 277V. Multi Tap is pre-wired for highest voltage. Alternate voltages will require field re-wiring.
- 3 - Tri-Tap is shipped standard for Canadian applications. Tri-Tap consists of 120V, 277V, and 347V. Tri-Tap is pre-wired for highest voltage. Alternate voltages will require field re-wiring.
- 4 - Fusing not available on PE.

\* In accordance with the 2007 Energy Independence and Security Act (EISA), fixtures will no longer be available in Probe Start Metal Halide with wattages from 150 watts through 500 watts for new installations. Replacement parts for existing fixtures are still available.

Approved By: \_\_\_\_\_ Project Name: \_\_\_\_\_

Location: \_\_\_\_\_ Date: \_\_\_\_\_

**WLS** LIGHTING SYSTEMS