

WLS LIGHTING SYSTEMS

RH SERIES

HORIZONTAL LAMP



SPECIFICATIONS

HOUSING The RH Series fixtures are fabricated of .080" thick seamless spun aluminum with a single reveal. This design ensures weather-tight construction.

LENS AND FRAME Lenses are available in flat and contoured impact resistant tempered glass. Lens are sealed to the housing with a poron gasket to a one-piece spun aluminum lens frame. The lens door frame is attached with 2 stainless steel hinges, is equipped with a spring-loaded fastener for easy access, and closes securely on a poron gasket preventing entry of moisture and insects.

FINISHES Fixtures are finished with a thermoset baked-on polyester powder finishing process, to give the fixture an exceptionally attractive appearance. The polyester finish withstands extreme weather change without cracking or peeling. Standard and custom colors available.

REFLECTORS/DISTRIBUTION PATTERNS Fixtures are equipped with a state of the art Quali-Guard™ polished aluminum segmented reflector available in five distribution patterns. Horizontal burn lamps: Type II (2), Type III (3), Type V (5), Perimeter Forward Throw (FP) and Automotive Forward Throw (AF).

LIGHT SOURCES Designed to operate up to 1000 Watt High Pressure Sodium and Metal Halide BT-37 reduced envelope lamp.

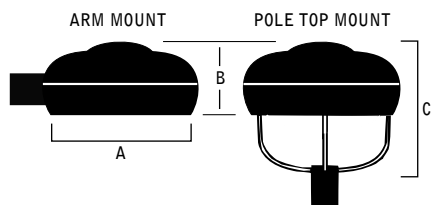
SOCKETS Porcelain mogul-base sockets feature spring-reinforced contacts to the housing. Rated to 600V.

BALLAST CWA or HPF regulating auto transformers. Available in Metal Halide or High Pressure Sodium. Starting temperature is -20 F for Metal Halide and -40 F for High Pressure Sodium.

BRACKETS Bolt On Arm: 6" x 2" x 10" extruded aluminum arms are shipped standard. **Quick Fit Arm:** are fabricated to fit any size tenon or pole top. Fixtures are manufactured with a fixed-arm which easily slips into the quick fit adapter making field installation SIMPLE. **Pole Top:** Cast aluminum mounting hub with four heavy duty aluminum rods welded to the center and door frame.

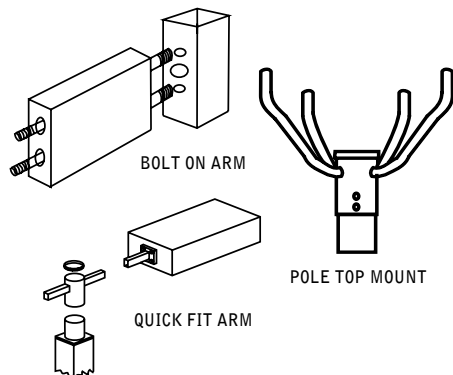


DIMENSIONS



	A	B	C	EPA
RH-S	20"	9"	19"	1.0
RH-M	24"	11"	21"	1.5
RH-L	34"	12"	22"	2.1

MOUNTING BRACKETS



Approved By: _____

Project Name: _____

Location: _____

Date: _____

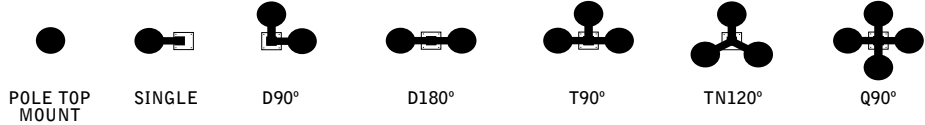
WLS LIGHTING SYSTEMS
MANUFACTURING SINCE 1969

P.O. Box 100519 ■ Fort Worth, TX 76185
800.633.8711 ■ Fax: 817.735.4824 ■ www.wslighting.com

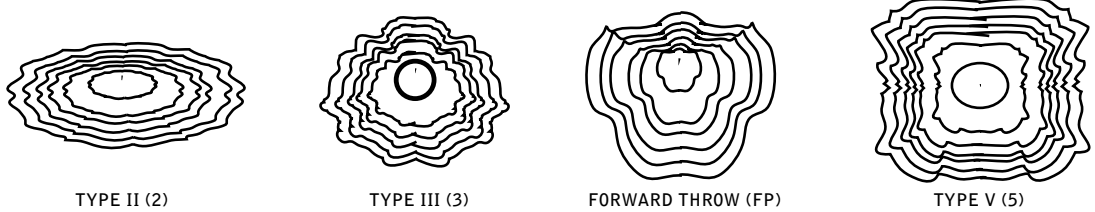
RH SERIES

HORIZONTAL LAMP

FIXTURE MOUNTING CONFIGURATIONS



OPTICS



NOTE: Based on MH vertical burn. Consult factory for accurate optics.

ORDERING INFORMATION

SELECT APPROPRIATE CHOICE FROM EACH COLUMN TO FORMULATE ORDER CODE. Refer to example below.

LUMINAIRE PREFIX	DISTRIBUTION	LAMP WATTAGE	LIGHT SOURCE	LENS	LINE VOLTAGE	LUMINAIRE FINISH	OPTIONS
RH-S	2 - Type II 3 - Type III FP - Perimeter Forward Throw 5 - Type V AF - Automotive Forward	100W 175W	MH - Metal Halide PSMH - Pulse-Start Metal Halide HPS - High Pressure Sodium	CT - Contoured FG - Flat Glass (Clear Tempered Glass)	480V MT - Multi Tap ³ TT - Tri Tap ²	BRZ - Bronze BLK - Black PLT - Platinum BUF - Buff WHT - White GRN - Green CC - Custom Color	LL - Less Lamp VL - Vertical Lamp GS - Glare Shield AS - Accent Striping BKT-WM - Wall Mount Plate QF - Quick Fit Arm Mount QR - Quartz Restrike PC - Photo Cell SF - Single Fusing DF - Double Fusing NO - No Options
RH-M	2 - Type II 3 - Type III FP - Perimeter Forward Throw 5 - Type V	250W 320W 400W	MH - Metal Halide SMH - Super Metal Halide PSMH - Pulse-Start Metal Halide HPS - High Pressure Sodium				
RH-L	2 - Type II FP - Perimeter Forward Throw 5 - Type V	750W 1000W	MH - Metal Halide SMH - Super Metal Halide PSMH - Pulse-Start Metal Halide HPS - High Pressure Sodium ¹				

RH-S **5** **1000** **MHR** **CT** **MT** **BRZ** **NO**
(EXAMPLE ORDER)

ORDER:

WLS

NOTE:

1. Voltage for 750W High Pressure Sodium must be specified.
2. Consult factory for international voltages. (120, 277, 347 Voltage)
3. MT - Multi Tap is shipped standard unless otherwise specified.
(Multi Tap consists of 120V, 208V, 240V, and 277V. Multi Tap is pre-wired for highest voltage. Alternate voltages will require field re-wiring.)

Approved By: _____

Project Name: _____

Location: _____

Date: _____

WLS LIGHTING SYSTEMS
MANUFACTURING SINCE 1969

P.O. Box 100519 ■ Fort Worth, TX 76185
800.633.8711 ■ Fax: 817.735.4824 ■ www.wslighting.com