

# WLS LIGHTING SYSTEMS

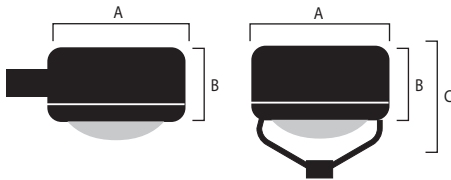
# RV VERTICAL LAMP / CONTOURED LENS SERIES



## DIMENSIONS

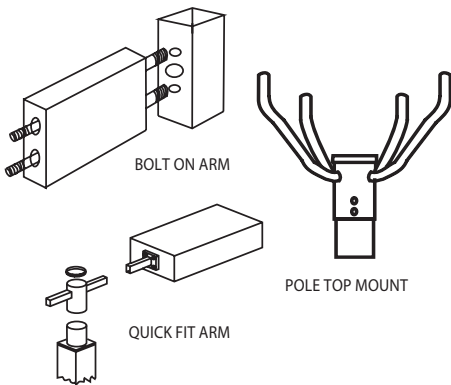
ARM MOUNT

POLE TOP MOUNT



|      | A   | B       | C       | EPA |
|------|-----|---------|---------|-----|
| RV-M | 22" | 13"     | 23"     | 1.6 |
| RV-L | 26" | 13 1/2" | 23 1/2" | 2.0 |

## MOUNTING BRACKETS



listed for wet locations

## SPECIFICATIONS

**HOUSING** - The RV Series housing is designed to ensure weather-tight construction and is fabricated from .080" thick seamless spun aluminum with an optional multiple reveal. The bottom access door provides ease of installation and servicing.

**LENS AND FRAME** - The standard lens is contoured impact resistant tempered glass, sealed with a poron gasket to a one-piece spun aluminum lens frame. The lens door frame is attached with 2 stainless steel hinges, is equipped with a spring loaded fastener for easy access, and closes securely on a poron gasket preventing entry of moisture and insects.

**FINISHES** - Fixtures are finished with a thermoset baked-on polyester powder finishing process to give the fixture an exceptionally attractive appearance. The polyester finish withstands extreme weather change without cracking or peeling. Standard and custom colors available.

**REFLECTORS / DISTRIBUTION PATTERNS** - Fixtures are equipped with a state of the art polished aluminum segmented reflector available in five distribution patterns with vertical burn lamps: Type II (2), Type III (3), Type V (5), Perimeter Forward Throw (FP) and Automotive Forward Throw (AF).

**LIGHT SOURCES** - Designed to operate up to 1000 Watt High Pressure Sodium, Metal Halide, and Pulse Start Metal Halide, BT-37 reduced envelope 1000 Watt Metal Halide lamps and 1500 watt standard lamps for larger housings. As well as Full Spectrum lamps.

**SOCKETS** - Glazed porcelain mogul-base sockets feature a spring-reinforced contacts. Rated to 600V.

**BALLASTS** - CWA or HPF regulating auto transformers. Available in Metal Halide, Pulse Start Metal Halide, Natural White™, and High Pressure Sodium. Starting temperature is -20° F for Metal halide and -40° F for High Pressure Sodium.

**BRACKETS** - **Bolt On Arm:** 6" x 2" x 10" extruded aluminum arms are shipped standard. **Quick Fit Arm:** are fabricated to fit any size tenon or pole top. Fixtures are manufactured with a fixed-arm which easily slips into the quick fit adapter making field installation SIMPLE. **Pole Top:** Cast aluminum mounting hubs with four heavy duty aluminum rods welded to the center and door frame.

Approved By: \_\_\_\_\_ Project Name: \_\_\_\_\_

Location: \_\_\_\_\_ Date: \_\_\_\_\_

P.O. Box 100519 | Fort Worth, TX 76185 | 800.633.8711 | Fax: 817.735.4824 | www.wslighting.com

**WLS** LIGHTING SYSTEMS

Consider the Impact!

# RV SERIES

VERTICAL LAMP / CONTOURED LENS

**ORDERING INFORMATION** SELECT APPROPRIATE CHOICE FROM EACH COLUMN TO FORMULATE ORDER CODE. Refer to example below.

| SERIES | DISTRIBUTION   | LAMP WATTAGE  | LIGHT SOURCE*   | LENS  | LINE VOLTAGE <sup>2</sup>  | LUMINAIRE FINISH   | OPTIONS  |
|--------|--|---|---|---|--|--|--|
| RV-M   | 2 - Type II<br>3 - Type III<br>FP - Perimeter Forward Throw<br>5 - Type V<br>AF - Automotive Forward Throw | 70W<br>100W<br>150W<br>175W<br>250W<br>320W<br>400W | MH - Metal Halide<br>PSMH - Pulse Start Metal Halide (250,320, 400)<br>HPS - High Pressure Sodium (250,400)   | CT - Contoured Glass Lens<br>FG - Flat Glass Lens | 480V<br>MT - Multi Tap <sup>3</sup><br>TT - Tri-Tap <sup>4</sup> | BRZ - Bronze<br>BLK - Black<br>PLT - Platinum<br>BUF - Buff<br>WHT - White<br>GRN - Green<br>CC - Custom Color | LL - Less Lamp<br>HL - Horizontal Lamp (1000 Watt only)<br>AS - Accent Stripping<br>GS - Glare Shield<br>BKT-WM - Wall Mount Plate<br>QF - Quick Fit Arm Mount<br>QR - Quartz Restrike<br>PC - Photo Cell<br>SF - Single Fusing<br>DF - Double Fusing<br>NO - No Options |
|        |  | 250W<br>320W<br>400W                                | FS - Full Spectrum  |   |  |  |  |
| RV-L   | 2 - Type II<br>3 - Type III<br>FP - Perimeter Forward Throw<br>5 - Type V<br>AF - Automotive Forward Throw | 400W<br>750W<br>1000W                               | MHR - Metal Halide Reduced(1000W)<br>MH - Metal Halide<br>SMHR - Super Metal Halide Reduced<br>PSMH - Pulse Start Metal Halide<br>HPS - High Pressure Sodium <sup>1</sup> |   |  |  |  |
|        |  | 400W<br>775W  | FS - Full Spectrum  |   |  |  |  |

RV-L 5 400 PSMH CT MT BRZ NO

(EXAMPLE ORDER)

**ORDER:**  
WLS-RV \_\_\_\_\_

**FOOTNOTES:**

- 1 - Voltage for 750W High Pressure Sodium must be specified.
- 2 - Consult factory for international voltages. (120V, 277V, 347V)
- 3 - MT - Multi Tap is shipped standard unless otherwise specified. (Multi Tap consists of 120V, 208V, 240V, and 277V. Multi Tap is pre-wired for highest voltage. Alternate voltages will require field re-wiring.
- 4 - TT- Tri-Tap consists of 120V, 277V, and 347V. Tri-Tap is pre-wired for highest voltage. Alternate voltages will require field re-wiring.

\* In accordance with the 2007 Energy Independence and Security Act (EISA), fixtures will no longer be available in Probe Start Metal Halide with wattages from 150 watts through 500 watts for new installations. Replacement parts for existing fixtures are still available.

Approved By: \_\_\_\_\_ Project Name: \_\_\_\_\_

Location: \_\_\_\_\_ Date: \_\_\_\_\_

**WLS LIGHTING SYSTEMS**