

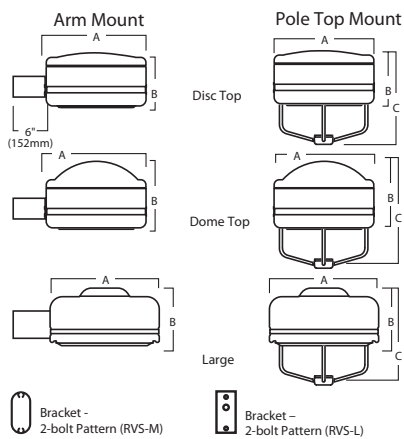
WLS LIGHTING SYSTEMS

RVS SERIES

VERTICAL / HORIZONTAL LAMP
FLAT GLASS



DIMENSIONS



FLAT LENS

		A	B	C
RVS-SV/RVS-SH	Arm Mount - Disc	508mm/20"	289mm/11 - 3/8"	—
RVS-SV/RVS-SH	Pole Top - Disc	508mm/20"	289mm/11 - 3/8"	473mm/18 - 5/8"
RVS-SV/RVS-SH	Arm Mount - Dome	508mm/20"	356mm/14"	—
RVS-SV/RVS-SH	Pole Top - Dome	508mm/20"	356mm/14"	540mm/21 - 1/4"
RVS-MV	Arm Mount - Disc	660mm/26"	356mm/14"	—
RVS-MV	Pole Top - Disc	660mm/26"	356mm/14"	616mm/24-1/4"
RVS-MV	Arm Mount - Dome	660mm/26"	447mm/17-1/2"	—
RVS-MV	Pole Top - Dome	660mm/26"	447mm/17-1/2"	702mm/27-5/8"
RVS-LV	Arm Mount	737mm/29"	384mm/15-1/8"	—
RVS-LV	Pole Top	737mm/29"	384mm/15-1/8"	616mm/24-1/4"



listed for wet locations

SPECIFICATIONS

HOUSING - Large - One-piece aluminum housing with bottom door access.
Medium and Small - Round spun aluminum housing with a choice of two top-access covers (disk or dome).

DOOR FRAME / TOP COVER FASTENERS - Large - Four stainless steel captive door fasteners provide secure closure and allow easy access with no loose hardware. For ease of installation, the door is field removable.
Medium and Small - Three stainless steel captive top-cover fasteners provide secure closure and allow easy access with no loose hardware. The top cover is attached to housing via a tether clip, which frees both hands while servicing.

LENS / GASKET - The flat tempered glass lens, measuring 1/8" in thickness, is sealed to the cast aluminum lens frame (Large) or onto the bottom of the top access housing (Medium and Small) with continuous EPDM extruded gasketing.

SOCKETS - Porcelain mogul-base sockets. All sockets are pulse-rated.

SOCKETS - Porcelain mogul-base sockets. All sockets are pulse-rated.

LIGHT SOURCES - Pulse Start Metal Halide, Natural White, Super Metal Halide, Metal Halide, Metal Halide Reduced Envelope, and High Pressure Sodium.

BALLASTS - High-power factor ballast designed for -20°F operation. The removable ballast tray features a quick-disconnect plug. Pulse Start Metal Halide, Super Metal Halide, Metal Halide and 250 watt and above High Pressure Sodium fixtures feature a CWA ballast. 100 watt and 150 watt high Pressure Sodium fixtures feature a HX-HPF ballast.

OPTICS - Large Flat Lens - Type III (3), Perimeter Forward Throw (FP), Automotive Forward Throw (FA) and Type V (5).

Medium and Small Flat Lens - Type II (2), Type III (3), Forward Throw (FP) and Type V (5). All but the RVS-S reflectors are field rotatable. Photometric data is tested in accordance with IESNA guidelines.

BRACKETS - Large Arm Mount - 2-1/2" x 6-7/8" x 6" extruded aluminum bracket is standard. Bracket and housing attach to round pole with through-bolts and a one piece, back-up pole nut plate (included with fixture).

Medium and Small Arm Mount - 2-1/2" x 5-3/8" x 6" length extruded aluminum bracket is shipped standard. A round Pole Plate (RPP) is provided as standard for mounting to 3"-5" round pole.

Pole Top - The cast aluminum mounting hub conceals the wiring compartment and mounts directly to WLS's unique "pole-top mounting plate", via a high-strength grade five steel bolt with nylon insert and split lock washer for double locking. Support arms consist of four 11/16" O.D. Aluminum rods and are pre-wired for ease of installation.

FINISH - Fixtures are finished with WLS DuraGrip® polyester powder coat finishing process. The DuraGrip® finish withstands extreme weather changes without cracking or peeling, and is guaranteed for five full years. Standard colors include bronze, black, platinum plus, buff, graphite, satin verde green, metallic silver and white.

Approved By: _____ Project Name: _____

Location: _____ Date: _____

P.O. Box 100519 | Fort Worth, TX 76185 | 800.633.8711 | Fax: 817.735.4824 | www.wslighting.com

WLS LIGHTING SYSTEMS

Consider the Impact!

RVS SERIES

VERTICAL / HORIZONTAL LAMP
FLAT GLASS LENS

ORDERING INFORMATION SELECT APPROPRIATE CHOICE FROM EACH COLUMN TO FORMULATE ORDER CODE. Refer to example below.

SERIES	DISTRIBUTION	LAMP WATTAGE	LIGHT SOURCE*	LENS	LAMP ORIENTATION	TOP COVER	LINE VOLTAGE ⁴	LUMINAIRE FINISH	OPTIONS				
RVS-S ¹	2 - Type II ⁶ 3 - Type III FP - Forward Throw Perimeter 5 - Type V	100W 150W 175W 200W ⁷ 250W 320W	PSMH - Pulse Start Metal Halide (175, 200 ⁷ , 250, 320) HPS - High Pressure Sodium (100, 150, 250) CMH - Ceramic Metal Halide (150)	FG - Flat Glass	V - Vertical H - Horizontal	DI - Disc DO - Dome NT - No Top	480V MT - Multi Tap TT - Tri Tap	BRZ - Bronze BLK - Black PLT - Platinum Plus BUF - Buff WHT - White SVG - Satin Verde Green MSV - Metallic Silver GPT - Graphite CC - Custom Color	LL - Less Lamp RPP - Round Pole Plate PT - Pole Top AS - Accent Stripping BPC - Button Type Photocell EPC - External Photocell ⁴ PCR - Photocell Control Receptacle ⁵ NO - No Options				
		250W 320W	NW - Natural White										
RVS-M ¹	3 - Type III FP - Forward Throw Perimeter 5 - Type V	200W 250W 320W 400W	PSMH - Pulse Start Metal Halide (200, 250, 320, 400) HPS - High Pressure Sodium (250, 400)		V - Vertical	V - Vertical							
		350W 400W	NW - Natural White										
RVS-L ¹	3 - Type III FP - Forward Throw 5 - Type V	750W 1000W	PSMH - Pulse Start Metal Halide ² MH - Metal Halide* HPS - High Pressure Sodium ³										
		575W 775W	NW - Natural White										

RVS-L 5 1000 MH FG V NT MT BRZ NO/NA
(EXAMPLE ORDER)

ORDER:
WLS-RVS-

FOOTNOTES:

- When ordering pole top fixtures for tenon mounting, a pole top adaptor must be ordered.
- Tri-Tap is not available in 1000W PSMH. Specify voltage required.
- Multi Tap is not available in 750W HPS. Specify voltage required.
- External photocell is compatible with RVS-M only.
- PCR compatible with RVS-L. PCR factory installed and pre-wired for highest voltage. Alternate voltage will require field re-wiring. Photocell must be ordered separately - see Accessories.
- RVS-S Type II distribution available only with vertical lamp orientation.
- RVS-S 200 watt PSMH available only with vertical lamp orientation.

* In accordance with the 2007 Energy Independence and Security Act (EISA), fixtures will no longer be available in Probe Start Metal Halide with wattages from 150 watts through 500 watts for new installations. Replacement parts for existing fixtures are still available.

SHIPPING WEIGHTS - RVS Flat Lens				
Catalog Number	Est. Weight (kg/lbs)	Length (mm/in)	Width (mm/in)	Height (mm/in)
RVS-S Arm Mount Dic Top	16/36	610/24	610/24	425/16.75
RVS-S Pole Top Mount Disc Top	19/42	610/24	610/24	629/24.75
RVS-S Arm Mount Dome Top	17/37	610/24	610/24	425/16.75
RVS-S Pole Top Mount Disc Top	20/43	610/24	610/24	629/24.75
RVS-M Arm Mount Disc Top	24/52	775/30.5	775/30.5	559/22
RVS-M Pole Top Mount Disc Top	28/57	762/30	762/30	724/28.5
RVS-M Arm Mount Dome Top	24/53	762/30	762/30	813/32
RVS-M Pole Top Mount Dome Top	26/58	762/30	762/30	806/31.75
RVS-L Arm Mount	30/66	876/34.5	876/34.5	559/22
RVS-L Pole Top Mount	34/74	851/33.5	876/34.5	749/29.5

Color Decals
45 - Light Gold Metallic
20 - Charcoal Metallic
94 - Blue Metallic
59 - Dark Green
21 - Tomato Red
55 - Black
50 - White
700 - Aztec Silver Metallic
51 - Dark Red

LUMINAIRE EPA CHART					
RVS Flat Lens (152mm/6" Bracket)	RVS-S Disc	RVS-S Dome	RVS-M Disc	RVS-M Dome	RVS-L
Single	1.1	1.2	1.9	2.1	1.9
D180°	2.1	2.5	3.7	4.1	3.7
D90°	1.8	2.2	3.3	3.6	3.4
T90°	2.9	3.4	5.2	5.7	5.2
TN120°	2.9	3.4	5.2	5.7	5.3
Q90°	3.7	4.4	6.7	7.4	6.8
Pole Top	1.1	1.3	1.8	2.0	2.0

Note: House Side Shield adds to fixture EPA. Consult factory.

Approved By: _____ Project Name: _____

Location: _____ Date: _____

WLS LIGHTING SYSTEMS

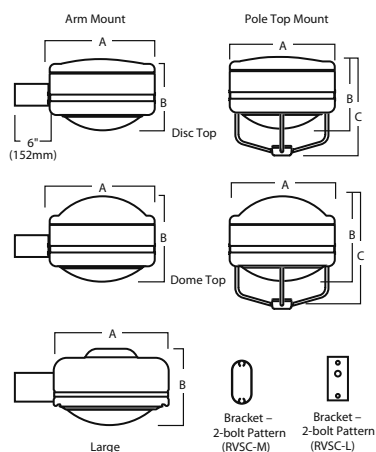
WLS LIGHTING SYSTEMS

RVSC SERIES

VERTICAL / HORIZONTAL LAMP
CONTOURED GLASS LENS



DIMENSIONS



FLAT LENS

	A	B	C
RVSC-M Arm Mount - Disc	26"(660mm)	17-7/8"(454mm)	—
RVSC-M Pole Top - Disc	26"(660mm)	17-7/8"(454mm)	24-1/4"(616mm)
RVSC-M Arm Mount - Dome	26"(660mm)	21-1/4"(540mm)	—
RVSC-M Pole Top - Dome	26"(660mm)	21-1/4"(540mm)	27-5/8"(702mm)
RVSC-L Arm Mount	29"(736mm)	18"(457mm)	—



LISTED
listed for wet locations

SPECIFICATIONS

HOUSING - Large - One-piece aluminum housing with bottom door access.

Medium - Round spun aluminum housing with a choice of two top-access covers (disk or dome).

DOOR FRAME / TOP COVER FASTENERS - Large - Four stainless steel captive door fasteners provide secure closure and allow easy access with no loose hardware. For ease of installation, the door frame is field removable.

Medium - Three stainless steel captive top-cover fasteners provide secure closure and allow easy access with no loose hardware. The top cover is attached to housing via a tether clip, which frees both hands while servicing.

LENS / GASKET - The contoured glass lens measuring 1/8" thickness is sealed to the cast aluminum lens frame (Large) or onto the bottom of the top access housing (Medium) with continuous EPDM extruded gasketing.

SOCKETS - Porcelain mogul-base sockets. All sockets are pulse-rated.

LIGHT SOURCES - Pulse Start Metal Halide, Natural White, Metal Halide, Metal Halide Reduced Envelope, and High Pressure Sodium.

BALLASTS - High-power factor ballast designed for -20°F operation. The removable ballast tray features a quick-disconnect plug. Pulse Start Metal Halide, Super Metal Halide, Metal Halide and 250 watt and above High Pressure Sodium fixtures feature a CWA ballast. 100 watt and 150 watt high Pressure Sodium fixtures feature a HX-HPF ballast.

OPTICS - Large - Forward Ramp (FR).

Medium - Type II (2), Type III (3), Type V (5), Forward Throw Perimeter (FP), and Automotive Forward Throw (AF).

BRACKETS - Large Arm Mount - 2-1/2" x 6-7/8" x 6" extruded aluminum bracket is standard. Bracket and housing attach to round pole with through-bolts and a one piece, back-up pole nut plate (included with fixture).

Medium and Small Arm Mount - 2-1/2" x 5-3/8" x 6" length extruded aluminum bracket is shipped standard. A round Pole Plate (RPP) is provided as standard for mounting to 3"- 5" round pole.

Pole Top - The cast aluminum mounting hub conceals the wiring compartment and mounts directly to WLS's unique "pole-top mounting plate", via a high-strength grade five steel bolt with nylon insert and split lock washer for double locking. Support arms consist of four 11/16" O.D. Aluminum rods and are pre-wired for ease of installation.

FINISH - Fixtures are finished with WLS DuraGrip® polyester powder coat finishing process. The DuraGrip® finish withstands extreme weather changes without cracking or peeling, and is guaranteed for five full years. Standard colors include bronze, black, platinum plus, buff, graphite, satin verde green, metallic silver and white.

Approved By: _____ Project Name: _____

Location: _____ Date: _____

P.O. Box 100519 | Fort Worth, TX 76185 | 800.633.8711 | Fax: 817.735.4824 | www.wslighting.com

WLS LIGHTING SYSTEMS

Consider the Impact!

RVSC SERIES

VERTICAL / HORIZONTAL LAMP
CONTOURED GLASS LENS

ORDERING INFORMATION SELECT APPROPRIATE CHOICE FROM EACH COLUMN TO FORMULATE ORDER CODE. Refer to example below.

SERIES	DISTRIBUTION	LAMP WATTAGE	LIGHT SOURCE*	LENS	LAMP ORIENTATION	TOP COVER	LINE VOLTAGE ⁴	LUMINAIRE FINISH	OPTIONS
RVSC-M ¹	2 - Type II 3 - Type III 5 - Type V FP - Forward Throw Perimeter FA - Automotive Forward Throw	250W 320W 400W 750W 1000W	PSMH - Pulse Start Metal Halide (250, 320, 400, 750, 1000 ² watt) MHR - Metal Halide Reduced Envelope (1000 watt) HPS - High Pressure Sodium (400, 750 ³ watt)	CT - Contoured Clear Tempered Glass	V - Vertical	DI - Disc DO - Dome NT - No Top	480V MT - Multi Tap TT - Tri Tap	BRZ - Bronze BLK - Black PLT - Platinum Plus BUF - Buff WHT - White SVG - Satin Verde Green MSV - Metallic Silver GPT - Graphite CC - Custom Color	LL - Less Lamp RPP - Round Pole Plate PT - Pole Top AS - Accent Stripping BPC - Button Type Photocell EPC - External Photocell ⁴ PCR - Photocell Control Receptacle ⁵ NO - No Options
		250W 320W 350W 400W 575W 775W	NW - Natural White		H - Horizontal				
RVSC-L ¹	FR - Forward Ramp	1000W	MHR - Metal Halide Reduced Envelope						ACCESSORIES PC - Photocell SF - Single Fusing DF - Double Fusing GS - Glare Shield BKA-RBO-WM - Wall Mount Plate for use with RPP BKS-BO-WM - Wall Mount Plate for flat arm NA - No Accessories

RVSC-M 3 250 PSMH CT V DI MT BRZ NO/NA
(EXAMPLE ORDER)

ORDER:
WLS-RVSC-

FOOTNOTES:

- 1 - When ordering pole top fixtures for tenon mounting, a pole top adaptor must be ordered.
- 2 - Tri-Tap is not available in 1000W PSMH. Specify voltage required.
- 3 - Multi Tap is not available in 750W HPS. Specify voltage required.
- 4 - External photocell is compatible with RVS-M only.
- 5 - PCR compatible with RVS-L. PCR factory installed and pre-wired for highest voltage. Alternate voltage will require field re-wiring. Photocell must be ordered separately - see Accessories.

* In accordance with the 2007 Energy Independence and Security Act (EISA), fixtures will no longer be available in Probe Start Metal Halide with wattages from 150 watts through 500 watts for new installations. Replacement parts for existing fixtures are still available.

SHIPPING WEIGHTS - RVSC Contoured Lens				
Catalog Number	Est. Weight (kg/lbs.)	Length (mm/in.)	Width (mm/in.)	Height (mm/in.)
RVSC-M Disk Top Arm Mount	28/62	762/30	762/30	559/22
RVSC-M Disk Top Pole Top	30/67	762/30	762/30	724/28.5
RVSC-M Dome Top Arm Mount	29/64	775/30.5	762/30	559/22
RVSC-M Dome Top Pole Top	37/81	762/30	762/30	806/31.75
RVSC-L Arm Mount	32/71	889/35	876/34.5	584/23

Color Decals

- 45 - Light Gold Metallic
- 20 - Charcoal Metallic
- 94 - Blue Metallic
- 59 - Dark Green
- 21 - Tomato Red
- 55 - Black
- 50 - White
- 700 - Aztec Silver Metallic
- 51 - Dark Red

LUMINAIRE EPA CHART

	RVSC-M DISK TOP	RVSC-M DOME TOP	RVSC-L ARM MOUNT
Single	1.9	2.1	2.0
D180°	3.7	4.1	3.9
D90°	3.3	3.6	3.5
T90°	5.2	5.7	5.5
TN120°	5.2	5.7	5.5
Q90°	6.7	7.4	7.1
Pole Top	2.0	2.2	-

Note: House Side Shield adds to fixture EPA. Consult factory.

Approved By: _____ Project Name: _____

Location: _____ Date: _____

WLS LIGHTING SYSTEMS