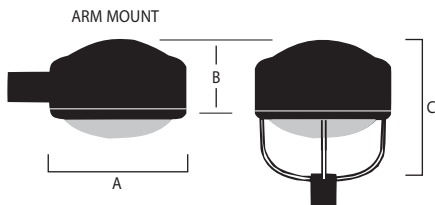


RVT SERIES

HORIZONTAL / VERTICAL LAMP

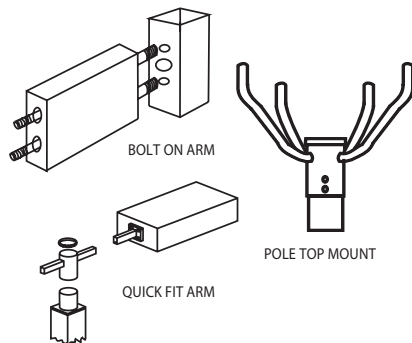


DIMENSIONS



| | A | B | C | EPA |
|-------|-----|-------|-----|-----|
| RVT-S | 22" | 13.5" | 27" | 1.3 |
| RVT-M | 25" | 13.5" | 32" | 1.9 |
| RVT-L | 25" | 15.5" | 32" | 2.2 |

MOUNTING BRACKETS



listed for wet locations

SPECIFICATIONS

HOUSING - The RVT Series housing is designed to ensure weather-tight construction and is fabricated from .080" thick seamless spun aluminum with an optional multiple reveal. The bottom access door provides ease of installation and servicing.

LENS AND FRAME - The standard lens is contoured impact resistant tempered glass, sealed with a poron gasket to a one-piece lens frame made of .080" thick spun aluminum. The lens door frame is attached with 2 stainless steel hinges, is equipped with a spring-loaded fastener for easy access, and closes securely on a poron gasket preventing entry of moisture and insects.

FINISHES - Fixtures are finished with a thermoset baked-on polyester powder finishing process to give the fixture an exceptionally attractive appearance. The polyester finish withstands extreme weather changes without cracking or peeling. Bronze, Black, Platinum, Buff, White, and Green. Custom colors available upon request.

REFLECTORS / DISTRIBUTION PATTERNS - Fixtures are equipped with a state of the art polished aluminum segmented reflector available in four distribution patterns with a vertical burn lamp: Type III (3), Type V (5), Perimeter Forward Throw (FP) and Automotive Forward Throw (AF).

LIGHT SOURCES - Designed to operate up to 1000 Watt High Pressure Sodium and Metal Halide BT-37 reduced envelope 1000 Watt Metal Halide lamps.

SOCKETS - Glazed porcelain mogul-base sockets feature spring-reinforced contacts. Rated to 600V.

BALLAST - CWA or HPF regulating auto transformers. Available in Metal Halide or High Pressure Sodium. Starting temperature is -20° F for Metal Halide and -40° F for High Pressure Sodium. Maximum wattage is 1000W.

BRACKETS - **Bolt On Arm:** 6" x 2' x 12" extruded aluminum arms are shipped standard. **Quick Fit Arm:** Fabricated to fit any size tenon or pole top. Fixtures are manufactured with a fixed-arm which easily slips into the quick fit adapter making field installation SIMPLE. **Pole Top:** Cast aluminum mounting hub with four heavy duty aluminum rods welded to the center and door frame.

Approved By: _____ Project Name: _____

Location: _____ Date: _____

P.O. Box 100519 | Fort Worth, TX 76185 | 800.633.8711 | Fax: 817.735.4824 | www.wslighting.com

WLS LIGHTING SYSTEMS

Consider the Impact!

RVT HORIZONTAL / VERTICAL LAMP SERIES

ORDERING INFORMATION SELECT APPROPRIATE CHOICE FROM EACH COLUMN TO FORMULATE ORDER CODE. Refer to example below.

| SERIES | DISTRIBUTION | LAMP WATTAGE | LIGHT SOURCE* | LENS/LAMP | LINE VOLTAGE ² | LUMINAIRE FINISH | OPTIONS |
|--------|---|--|--|--|--|--|---|
| RVT-S | 2 - Type II 3 - Type III FP - Perimeter Forward Throw 5 - Type V | 70W | MH - Metal Halide HPS - High Pressure Sodium (Max. 250W) | CT/V - Contoured / Vertical FG/V - Flat Clear / Vertical (Clear Tempered Glass) | 480V MT - Multi Tap ³ TT - Tri-Tap ⁴ | BRZ - Bronze BLK - Black PLT - Platinum BUF - Buff WHT - White GRN - Green CC - Custom Color | LL - Less Lamp GS - Glare Shield BKT-WM - Wall Mount Plate QF - Quick Fit Arm Mount QR - Quartz Restrike PC - Photo Cell SF - Single Fusing DF - Double Fusing SP - Spider Mount NO - No Options |
| | | 100W 150W 175W 250W 320W | | | | | |
| RVT-M | 2 - Type II 3 - Type III FP - Perimeter Forward Throw 5 - Type V | 250W 320W 400W 750W 1000W | MHR - Metal Halide Reduced (1000W) SMH - Super Metal Halide PSMH - Pulse Start Metal Halide HPS - High Pressure Sodium | CT/H - Contoured / Horizontal FG/H - Flat Clear / Horizontal (Clear Tempered Glass) | | | |
| | | 250W 320W 350W 400W 575W 775W | NW - Natural White | | | | |
| RVT-L | 2 - Type II 3 - Type III FP - Perimeter Forward Throw 5 - Type V | 750W 1000W | MHR - Metal Halide Reduced SMH - Super Metal Halide PSMH - Pulse Start Metal Halide HPS - High Pressure Sodium ¹ | | | | |
| | | 775W | NW - Natural White | | | | |

RVT-M 5 1000 MHR CT/V MT BRZ NO
(EXAMPLE ORDER)

ORDER:
WLS-RVT-

FOOTNOTES:

- 1 - Voltage for 750W High Pressure Sodium must be specified.
- 2 - Consult factory for international voltages. (120V, 277V, 347V)
- 3 - MT - Multi Tap is shipped standard unless otherwise specified. (Multi Tap consists of 120V, 208V, 240V, and 277V. Multi Tap is pre-wired for highest voltage. Alternate voltages will require field re-wiring.
- 4 - TT- Tri-Tap consists of 120V, 277V, and 347V. Tri-Tap is pre-wired for highest voltage. Alternate voltages will require field re-wiring.

* In accordance with the 2007 Energy Independence and Security Act (EISA), fixtures will no longer be available in Probe Start Metal Halide with wattages from 150 watts through 500 watts for new installations. Replacement parts for existing fixtures are still available.

Approved By: _____ Project Name: _____

Location: _____ Date: _____

WLS LIGHTING SYSTEMS