

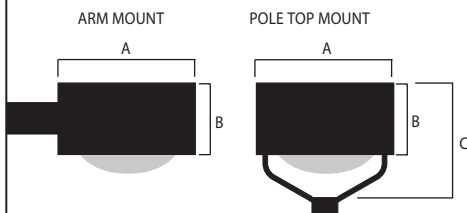
WLS LIGHTING SYSTEMS

V SERIES

VERTICAL LAMP



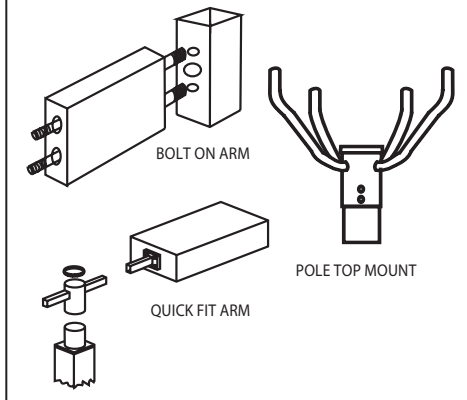
DIMENSIONS



	A	B	C	EPA
V-S	14"	7.5"	14"	0.9
V-M	21"	12"	23"	2.2
V-L	23"	16"	27"	3.2

NOTE: Add 3" to Dimensions B & C with the flat glass option.

MOUNTING BRACKETS



UL LISTED for wet locations.

SPECIFICATIONS

HOUSING - V series housing is designed to ensure weather-tight construction and is fabricated from .063" thick aluminum. Continuous heliarc welds at all seams produce a clean sharp appearance. The bottom access door provides ease of installation and servicing.

LENS AND FRAME - The standard lens is contoured impact resistant tempered glass, sealed with a poron gasket to a one-piece lens frame made of .063" thick die formed aluminum. The lens door frame is attached with 2 stainless steel hinges, is equipped with a spring-loaded fastener for easy access, and closes securely on a poron gasket preventing entry of moisture and insects.

SOCKETS - Glazed porcelain mogul-base sockets feature spring-reinforced contacts. Rated to 600V.

LIGHT SOURCES - Pulse Start Metal Halide, Full Spectrum, Metal Halide, and High Pressure Sodium.

BALLASTS - CWA or HPF regulating auto transformers. Starting temperature in -20° F for Metal Halide and -40°F for High Pressure Sodium.

MOUNTING - Bolt On Arm: 6" x 2" x 10" extruded aluminum arms are shipped standard. **Quick Fit Arm:** Fabricated to fit any size tenon or pole top. Fixtures are manufactured with a fixed arm which easily slips into the quick fit adapter making field installation quick and simple. **Pole Top:** Cast aluminum mounting hub with four heavy duty aluminum rods welded to the center and door frame.

REFLECTORS - Fixtures are equipped with a state of the art polished aluminum segmented reflector available in five distribution patterns with vertical burn lamps: Type II (2), Type III (3), Type V (5), and Perimeter Forward Throw (FP).

FINISH - Fixtures are finished with a thermoset baked-on polyester powder finishing process to give the fixture an exceptionally attractive appearance. The polyester finish withstands extreme weather change without cracking or peeling. Available in bronze, black, platinum, buff, white, and green. Custom colors available upon request.

Approved By: _____ Project Name: _____

Location: _____ Date: _____

P.O. Box 100519 | Fort Worth, TX 76185 | 800.633.8711 | Fax: 817.735.4824 | www.wslighting.com

WLS LIGHTING SYSTEMS

Consider the Impact!

V SERIES

VERTICAL LAMP

ORDERING INFORMATION SELECT APPROPRIATE CHOICE FROM EACH COLUMN TO FORMULATE ORDER CODE. Refer to example below.

SERIES	DISTRIBUTION	LAMP WATTAGE	LIGHT SOURCE*	LENS	LINE VOLTAGE	LUMINAIRE FINISH	OPTIONS
V-S	2 - Type II 3 - Type III 5 - Type V FP - Perimeter Forward Throw	70W 100W 150W	MH - Metal Halide (70, 100, 150W) HPS - High Pressure Sodium	CT - Contoured FG - Flat Clear Tempered Glass	120V 208V 240V 277V 480V MT - Multi Tap	DBRZ - Dark Bronze BLK - Black WHT - White GRY - Grey SLV - Silver GRN - Green MGRN - Mint Green DGRN - Dark Green CC - Custom Color	LL - Less Lamp GS - Glare Shield QR - Quartz Restrike PC - Photocell SF - Single Fusing DF - Double Fusing NO - No Options
		100W 150W	FS - Full Spectrum				
V-M	2 - Type II 3 - Type III 5 - Type V FP - Perimeter Forward Throw	175W 250W 320W 350W 400W	MH - Metal Halide (175, 250, 400W) PSMH - Pulse Start Metal Halide (175, 250, 320, 350, 400W) HPS - High Pressure Sodium (200, 250, 400W ¹)				
		175W 250W 320W 350W 400W	FS - Full Spectrum				
V-L	2 - Type II 3 - Type III 5 - Type V FP - Perimeter Forward Throw	400W 750W 875W ² 1000W	MH - Metal Halide PSMH - Pulse Start Metal Halide HPS - High Pressure Sodium				
		400W 775W	FS - Full Spectrum				

V-M 5 1000 MH CT MT BLK NO

(EXAMPLE ORDER)

**ORDER:
WLS-V-**

FOOTNOTES:

1 - CT required for V-M-400-HPS.
2 - 875W available only in PSMH lamp.

* In accordance with the 2007 Energy Independence and Security Act (EISA), fixtures will no longer be available in Probe Start Metal Halide with wattages from 150 watts through 500 watts for new installations. Replacement parts for existing fixtures are still available.

Approved By: _____ Project Name: _____

Location: _____ Date: _____

WLS LIGHTING SYSTEMS

P.O. Box 100519 | Fort Worth, TX 76185 | 800.633.8711 | Fax: 817.735.4824 | www.wslighting.com

Consider the Impact!