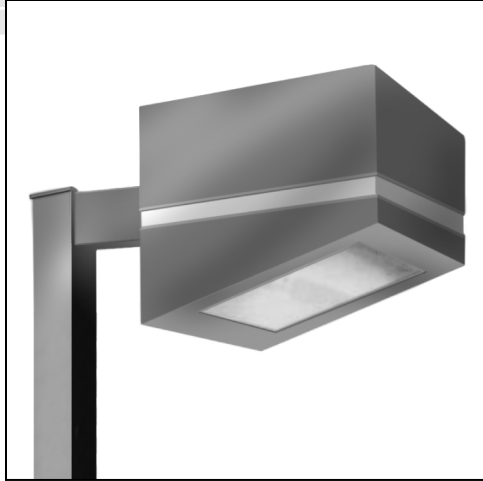


**WLS LIGHTING SYSTEMS**

# VA VERTICAL LAMP SERIES



## SPECIFICATIONS

**HOUSING** The VA Series housing is designed to ensure weather-tight construction. It features a decorative single reveal and is fabricated from .063" thick aluminum. Continuous heliarc welds at all seams produce a clean sharp appearance. The top access cover provides ease of installation and servicing.

**LENS AND FRAME** The lens is flat impact resistant tempered glass, sealed with a poron gasket to a one-piece lens frame made of .063" thick die formed aluminum. The lens door frame is attached with 2 stainless steel hinges, is equipped with a spring-loaded fastener for easy access, and closes securely on a poron gasket preventing entry of moisture and insects.

**FINISHES** Fixtures are finished with a thermoset baked-on polyester powder finishing process to give the fixture an exceptionally attractive appearance. The polyester finish withstands extreme weather change without cracking or peeling. Standard and custom colors available. The single reveal is also available in custom colors.

**REFLECTORS/DISTRIBUTION PATTERNS** Fixtures are equipped with a polished aluminum segmented reflector. The Perimeter Forward Throw (FP) and Automotive Forward Throw (AF) distribution patterns with vertical burn lamps eliminate rear light spillage.

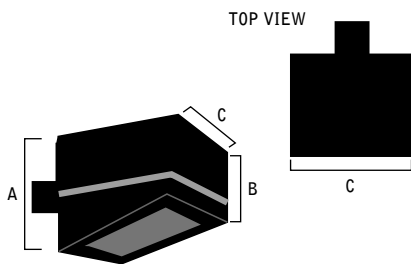
**LIGHT SOURCES** Designed to operate up to 1000 Watt Metal Halide BT-37 Reduced Envelope and Pulse Start Metal Halide lamps.

**SOCKETS** Glazed porcelain mogul-base sockets feature spring-reinforced contacts. Rated to 600V.

**BALLAST** CWA or HPF regulating auto transformers. Available in Metal Halide or High Pressure Sodium. Starting temperature is -20 F for Metal Halide. Maximum wattage is 1000W.

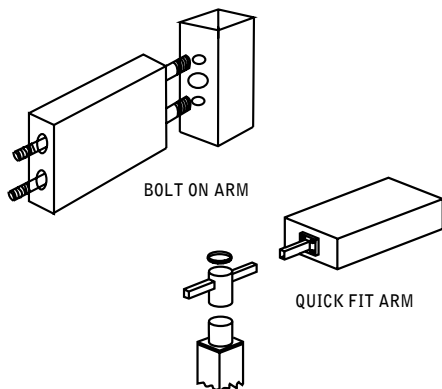
**BRACKETS Bolt On Arm:** 5 3/8" x 2 1/2" x 12" extruded aluminum arms are shipped standard. **Quick Fit Arm:** are fabricated to fit any size tenon or pole top. Fixtures are manufactured with a fixed-arm which easily slips into the quick fit adapter making field installation SIMPLE.


## DIMENSIONS



	A	B	C	EPA
VA	19 3/8"	12 3/4"	21 5/8" sq.	3.8

## MOUNTING BRACKETS



 LISTED for wet locations.

Approved By: \_\_\_\_\_

Project Name: \_\_\_\_\_

Location: \_\_\_\_\_

Date: \_\_\_\_\_

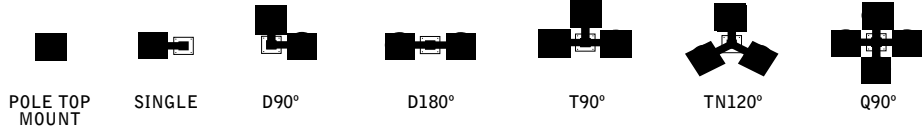
**WLS LIGHTING SYSTEMS**  
MANUFACTURING SINCE 1969

P.O. Box 100519 ■ Fort Worth, TX 76185  
800.633.8711 ■ Fax: 817.735.4824 ■ [www.wslighting.com](http://www.wslighting.com)

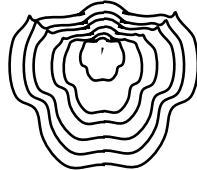
# VA SERIES

VERTICAL LAMP

## FIXTURE MOUNTING CONFIGURATIONS



## OPTICS



FORWARD THROW (AF)

NOTE: Consult factory for accurate optics.

## ORDERING INFORMATION

SELECT APPROPRIATE CHOICE FROM EACH COLUMN TO FORMULATE ORDER CODE. Refer to example below.

LUMINAIRE PREFIX	DISTRIBUTION	LAMP WATTAGE	LIGHT SOURCE	LENS	LINE VOLTAGE	LUMINAIRE FINISH	OPTIONS
<b>VA</b>	<b>FP</b> - Perimeter Forward Throw <b>AF</b> - Automotive Forward	<b>250W</b> <b>320W</b> <b>400W</b> <b>750W</b> <b>1000W</b>	<b>MH</b> - Metal Halide 250,400 Watt <b>SMH</b> - Super Metal Halide 400 Watt <b>PSMH</b> - Pulse-Start Metal Halide <b>MHR</b> - Metal Halide Reduced 1000 Watt	<b>FG</b> - Flat Glass (Clear Tempered Glass)	<b>480V</b> <b>MT</b> - Multi Tap <sup>3</sup> <b>TT</b> - Tri Tap <sup>2</sup>	<b>BRZ</b> - Bronze <b>BLK</b> - Black <b>PLT</b> - Platinum <b>BUF</b> - Buff <b>WHT</b> - White <b>GRN</b> - Green <b>CC</b> - Custom Color	<b>LL</b> - Less Lamp <b>GS</b> - Glare Shield <b>BKT-WM</b> - Wall Mount Plate <b>QF</b> - Quick Fit Arm Mount <b>QR</b> - Quartz Restrike <b>PC</b> - Photo Cell <b>SF</b> - Single Fusing <b>DF</b> - Double Fusing <b>AS</b> - Accent Striping <b>NO</b> - No Options

**VA**    **AF**    **1000**    **MHR**    **CT**    **MT**    **BRZ**    **NO**  
(EXAMPLE ORDER)

## ORDER:

## WLS

### NOTE:

1. Voltage for 750W High Pressure Sodium must be specified.
2. Consult factory for international voltages. (120, 277, 347 Voltage)
3. MT - Multi Tap is shipped standard unless otherwise specified.  
(Multi Tap consists of 120V, 208V, 240V, and 277V. Multi Tap is pre-wired for highest voltage. Alternate voltages will require field re-wiring.)

Approved By: \_\_\_\_\_

Project Name: \_\_\_\_\_

Location: \_\_\_\_\_

Date: \_\_\_\_\_

**WLS LIGHTING SYSTEMS**  
MANUFACTURING SINCE 1969

P.O. Box 100519 ■ Fort Worth, TX 76185  
800.633.8711 ■ Fax: 817.735.4824 ■ [www.wslighting.com](http://www.wslighting.com)