

WLS LIGHTING SYSTEMS

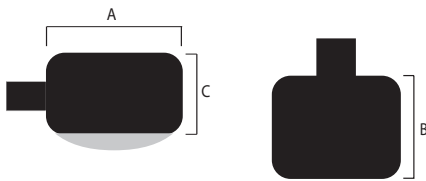
VC SERIES

VERTICAL LAMP



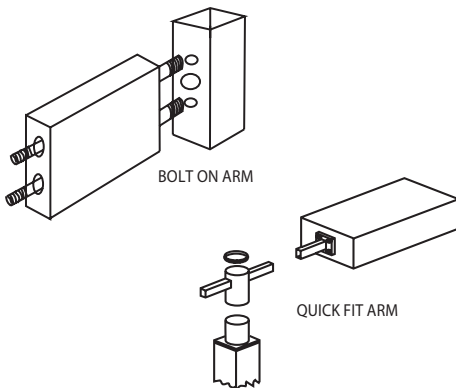
DIMENSIONS

ARM MOUNT



	A	B	C	EPA
VC	17"	17"	10"	1.25

MOUNTING BRACKETS



listed for wet locations

SPECIFICATIONS

HOUSING - Housing Fabricated of 0.12" thick die-cast aluminum with contoured corners and finished to produce a clean, sharp appearance. The one-piece design ensures a weather-tight construction. The bottom access cover provides ease of installation and servicing.

LENS AND FRAME - Lens is available in contoured and flat impact resistant tempered glass. Lens is sealed to the housing with a poron gasket to a one-piece frame made of silicone die-cast aluminum. The lens door frame is attached with 2 stainless steel hinges, is equipped with a spring-loaded fastener for easy access, and closes securely on a poron gasket preventing entry of moisture and insects.

SOCKETS - Porcelain mogul-base sockets feature spring-reinforced contacts to the housing. Rated to 600V.

LIGHT SOURCES - Pulse Start Metal Halide, Full Spectrum, and High Pressure Sodium. Clear lamp.

BALLASTS - CWA or HPF regulating auto transformers. Starting temperature is -20° F for Metal Halide and -40° F for High Pressure Sodium. Maximum wattage is 400W.

BRACKETS - **Bolt-On Arm:** 6" x 2" x 10" extruded aluminum arms are shipped standard. **Quick-Fit Arm:** Fabricated to fit any size tenon or pole top. Fixtures are manufactured with a fixed-arm which easily slips into the quick-fit adapter making field installation simple. **Pole Top:** Cast aluminum mounting hub with four heavy duty aluminum rods welded to the center and door frame.

REFLECTORS - Fixtures are equipped with a state of the art polished aluminum segmented reflector available in five distribution patterns. Vertical burn lamps: Type II (2), Type III (3), Type V (5), Perimeter Forward Throw (FP), and Automotive Forward Throw (AF).

FINISH - Fixtures are finished with a thermoset baked-on polyester powder finishing process, to give the fixture an exceptionally attractive appearance. The polyester finish withstands extreme weather changes without cracking or peeling. Available in bronze, black, platinum, buff, white and green. Custom colors available upon request.

Approved By: _____ Project Name: _____

Location: _____ Date: _____

P.O. Box 100519 | Fort Worth, TX 76185 | 800.633.8711 | Fax: 817.735.4824 | www.wslighting.com

WLS LIGHTING SYSTEMS

Consider the Impact!

VC SERIES

VERTICAL LAMP

ORDERING INFORMATION SELECT APPROPRIATE CHOICE FROM EACH COLUMN TO FORMULATE ORDER CODE. Refer to example below.

SERIES	DISTRIBUTION	LAMP WATTAGE	LIGHT SOURCE*	LENS	LINE VOLTAGE ²	LUMINAIRE FINISH	OPTIONS
VC	2 - Type II 3 - Type III 5 - Type V FP - Perimeter Forward Throw	175W 250W 320W 400W	PSMH - Pulse Start Metal Halide HPS - High Pressure Sodium	CT - Contoured FG - Flat Clear Tempered Glass	480V MT - Multi Tap ³ TT - Tri Tap ⁴	BRZ - Bronze BLK - Black PLT - Platinum BUF - Buff WHT - White GRN - Green CC - Custom Color	LL - Less Lamp HL - Horizontal Lamp GS - Glare Shield BKT-WM - Wall Mount Plate QF - Quick Fit Arm QR - Quartz Restrike PC - Photo Cell SF - Single Fusing DF - Double Fusing NO - No Options
	AF - Automotive Forward Throw	100W 150W 320W	FS - Full Spectrum				

VC 3 150 PSMH FG 120 BRZ NO N
(EXAMPLE ORDER)

ORDER:
WLS-WMK

FOOTNOTES:

- 1 - Voltage for 750W High Pressure Sodium must be specified.
- 2 - Consult factory for international voltages. (120V, 277V, 347V)
- 3 - MT - Multi Tap is shipped standard unless otherwise specified. (Multi Tap consists of 120V, 208V, 240V, and 277V. Multi Tap is pre-wired for highest voltage. Alternate voltages will require field re-wiring.
- 4 - TT - Tri-Tap consists of 120V, 277V, and 347V. Tri-Tap is pre-wired for highest voltage. Alternate voltages will require field re-wiring.

* In accordance with the 2007 Energy Independence and Security Act (EISA), fixtures will no longer be available in Probe Start Metal Halide with wattages from 150 watts through 500 watts for new installations. Replacement parts for existing fixtures are still available.

Approved By: _____ Project Name: _____

Location: _____ Date: _____

WLS LIGHTING SYSTEMS