

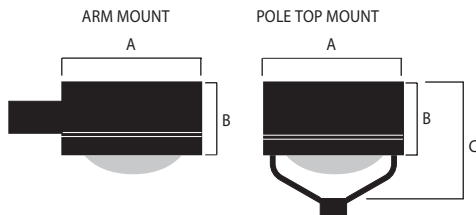
# WLS LIGHTING SYSTEMS

# VRD SERIES

VERTICAL LAMP



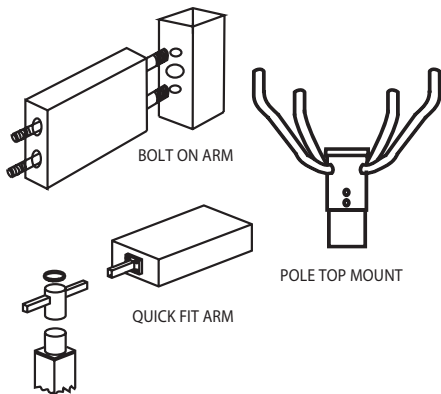
## DIMENSIONS



	A	B	C	EPA
VRD-S	23"	10"	20"	2.4
VRD-M	23"	13"	23"	2.9
VRD-L	27"	15"	25"	4.2

NOTE: Add 3" to Dimensions B & C with the flat glass option.

## MOUNTING BRACKETS



listed for wet locations

## SPECIFICATIONS

**HOUSING** - Designed to ensure weather-tight construction. Featuring a decorative double reveal and is fabricated from .063" thick aluminum. Continuous heliarc welds at all seams produce a clean sharp appearance. The bottom access door provides ease of access and servicing.

**LENS AND FRAME** - The standard lens is contoured impact resistant tempered glass, sealed with a poron gasket to a one-piece lens frame made of .063" thick aluminum. The lens door frame is attached with 2 stainless steel hinges, is equipped with a spring-loaded fastener for easy access, and closes securely on a poron gasket preventing entry of dirt and insects.

**SOCKETS** - Glazed porcelain mogul-base sockets feature spring-reinforced contacts. Rated to 600V.

**LIGHT SOURCES** - Pulse Start Metal Halide, Full Spectrum, High Pressure Sodium, Metal Halide, Metal Halide Reduced Envelope, and Super Metal Halide. Clear lamp is supplied as standard.

**BALLASTS** - CWA or HPF regulating auto transformers. Available in Metal Halide or High Pressure Sodium. Starting temperature is -20° F for Metal Halide and -40° F for High Pressure Sodium. Maximum wattage is 1000W.

**BRACKETS - Bolt On Arm:** 6" x 2" x 10" extruded aluminum arm are shipped standard.

**Quick Fit Arm:** Fabricated to fit any size tenon or pole top. Fixtures are manufactured with a fixed-arm which easily slips into the quick fit adapter making field installation simple.

**Pole Top:** Cast aluminum mounting hub with four heavy duty aluminum rods welded to the center and door frame.

**REFLECTORS** - Fixtures are equipped with a state of the art polished aluminum segmented reflector available in five distribution patterns with vertical burn lamps: Type II (2), Type III (3), Type V (5), Perimeter Forward Throw (FP) and Automotive Forward Throw (AF).

**FINISH** - Fixtures are finished with a thermoset baked-on polyester powder coat finishing process to give the fixture an exceptionally attractive appearance. The polyester finish withstands extreme weather change without cracking or peeling. Available in bronze, black, platinum, buff, white and green. Custom colors available upon request.

Approved By: \_\_\_\_\_ Project Name: \_\_\_\_\_

Location: \_\_\_\_\_ Date: \_\_\_\_\_

P.O. Box 100519 | Fort Worth, TX 76185 | 800.633.8711 | Fax: 817.735.4824 | www.wslighting.com

**WLS** LIGHTING SYSTEMS

Consider the Impact!

# VRD SERIES

VERTICAL LAMP

**ORDERING INFORMATION** SELECT APPROPRIATE CHOICE FROM EACH COLUMN TO FORMULATE ORDER CODE. Refer to example below.

SERIES	DISTRIBUTION	LAMP WATTAGE	LIGHT SOURCE*	LENS	LINE VOLTAGE <sup>2</sup>	LUMINAIRE FINISH	OPTIONS
VRD-S	2 - Type II 3 - Type III 5 - Type V FP - Perimeter Forward Throw AF - Automotive Forward Throw	70W 100W 150W 175W 250W 320W 400W	MH - Metal Halide (70, 100W) PSMH - Pulse Start Metal Halide HPS - High Pressure Sodium (70, 100, 150, 175, 250, 320, 400W)	FG - Flat Clear Tempered Glass CT - Contoured	480V MT - Multi Tap <sup>3</sup> TT - Tri Tap <sup>4</sup>	BRZ - Bronze BLK - Black PLT - Platinum BUF - Buff WHT - White GRN - Green CC - Custom Color	LL - Less Lamp HL - Horizontal Lamp (1000 Watt only) GS - Glare Shield BKT-WM - Wall Mount Plate QF - Quick Fit Arm Mount QR - Quartz Restrike PC - Photo Cell SF - Single Fusing DF - Double Fusing AS - Accent Stripping NO - No Options
		165W 175W 185W 200W 320W 350W 400W	FS - Full Spectrum				
VRD-M	2 - Type II 3 - Type III 5 - Type V FP - Perimeter Forward Throw AF - Automotive Forward Throw	400W 750W 1000W	MHR - Metal Halide Reduced (1000W) SMHR - Super Metal Halide Reduced (400, 750, 1000W) PSMH - Pulse Start Metal Halide ( HPS - High Pressure Sodium (400, 750, 1000W) <sup>1</sup>				
		400W 775W	FS - Full Spectrum				
VRD-L	2 - Type II 3 - Type III 5 - Type V FP - Perimeter Forward Throw	1000W	MH - Metal Halide HPS - High Pressure Sodium				

VRD-S 5 400 PSMH FG MT BRZ NO  
(EXAMPLE ORDER)

**ORDER:**  
**WLS-VRD**

**FOOTNOTES:**

- 1 - Voltage for 750W High Pressure Sodium must be specified.
- 2 - Consult factory for international voltages. (120V, 277V, 347V)
- 3 - MT - Multi Tap is shipped standard unless otherwise specified. (Multi Tap consists of 120V, 208V, 240V, and 277V. Multi Tap is pre-wired for highest voltage. Alternate voltages will require field re-wiring.
- 4 - TT- Tri-Tap consists of 120V, 277V, and 347V. Tri-Tap is pre-wired for highest voltage. Alternate voltages will require field re-wiring.

\* In accordance with the 2007 Energy Independence and Security Act (EISA), fixtures will no longer be available in Probe Start Metal Halide with wattages from 150 watts through 500 watts for new installations. Replacement parts for existing fixtures are still available.

Approved By: \_\_\_\_\_ Project Name: \_\_\_\_\_

Location: \_\_\_\_\_ Date: \_\_\_\_\_

**WLS LIGHTING SYSTEMS**