

# WLS LIGHTING SYSTEMS

# VRS SERIES

VERTICAL LAMP



## SPECIFICATIONS

**HOUSING** - Designed to ensure weather-tight construction. Featuring a decorative single reveal and is fabricated from .063" thick aluminum. Continuous heliarc welds at all seams produce a clean sharp appearance. The bottom access door provides ease of installation and servicing.

**LENS AND FRAME** - The standard lens is contoured impact resistant tempered glass, sealed with a poron gasket to a one-piece lens frame made of .063" thick die formed aluminum. The lens door frame is attached with 2 stainless steel hinges, is equipped with a spring-loaded fastener for easy access, and closes securely on a poron gasket preventing entry of dirt and insects.

**REFLECTORS / DISTRIBUTION PATTERNS** - Fixtures are equipped with a state of the art polished aluminum segmented reflector available in five distribution patterns with vertical burn lamps: Type II (2), Type III (3), Type V (5), and Perimeter Forward Throw (FP).

**LIGHT SOURCES** - Metal Halide, Pulse Start Metal Halide, Full Spectrum, and High Pressure Sodium.

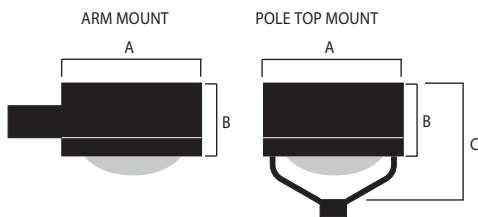
**SOCKETS** - Glazed porcelain mogul-base sockets feature spring-reinforced contacts. Rated to 600V.

**BALLAST** - CWA or HPF regulating auto transformers. Available in Metal Halide or High Pressure Sodium. Starting temperature is -20° F for Metal Halide and -40° F for High Pressure Sodium. Maximum wattage is 1000W.

**BRACKETS** - **Bolt On Arm:** 6" x 2" x 10" extruded aluminum arms are shipped standard. **Quick Fit Arm:** Fabricated to fit any size tenon or pole top. Fixtures are manufactured with a fixed-arm which easily slips into the quick fit adapter making field installation SIMPLE. **Pole Top:** Cast aluminum mounting hub with four heavy duty aluminum rods welded to the center and the door frame.

**FINISH** - Fixtures are finished with a thermoset baked-on polyester powder finishing process to give the fixture an exceptionally attractive appearance. The polyester finish withstands extreme weather changes without cracking or peeling. Available in Bronze, Black, Platinum, Buff, White, and Green. Custom Colors available upon request.

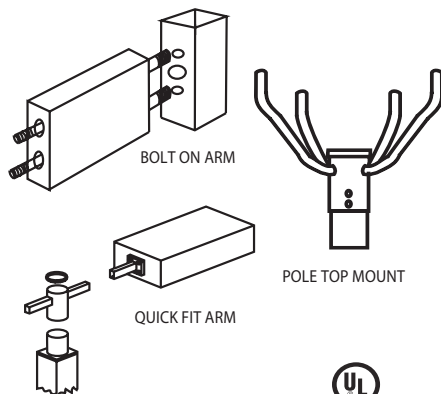
## DIMENSIONS



	A	B	C	EPA
VRS-S	14"	7.5"	14"	0.9
VRS-M	21"	12"	23"	2.2
VRS-L	23"	16"	27"	3.2

NOTE: Add 3" to Dimensions B & C with the flat glass option.

## DIMENSIONS



listed for wet locations

Approved By: \_\_\_\_\_ Project Name: \_\_\_\_\_

Location: \_\_\_\_\_ Date: \_\_\_\_\_

**WLS** LIGHTING SYSTEMS

P.O. Box 100519 | Fort Worth, TX 76185 | 800.633.8711 | Fax: 817.735.4824 | [www.wlsighting.com](http://www.wlsighting.com)

Consider the Impact!

# VRS SERIES

VERTICAL LAMP

**ORDERING INFORMATION** SELECT APPROPRIATE CHOICE FROM EACH COLUMN TO FORMULATE ORDER CODE. Refer to example below.

SERIES	DISTRIBUTION	LAMP WATTAGE	LIGHT SOURCE*	LENS	LINE VOLTAGE	LUMINAIRE FINISH	OPTIONS
VRS-S	2 - Type II 3 - Type III 5 - Type V FP - Perimeter Forward Throw	70W 100W 150W	MH - Metal Halide (70, 100, 150W) HPS - High Pressure Sodium	CT - Contoured FG - Flat Glass (Clear Tempered Glass)	120V 208V 240V 277V 480V MT - Multi Tap	DBRZ - Dark Bronze BLK - Black WHT - White GRY - Grey SLV - Silver GRN - Green MGRN - Mint Green DGRN - Dark Green CC - Custom Color	LL - Less Lamp GS - Glare Shield QR - Quartz Restrike PC - Photocell SF - Single Fusing DF - Double Fusing AS - Accent Stripping NO - No Options
		100W 150W	FS - Full Spectrum				
VRS-M	2 - Type II 3 - Type III 5 - Type V FP - Perimeter Forward Throw	175W 250W 320W 350W 400W	MH - Metal Halide (175, 250, 400W) PSMH - Pulse Start Metal Halide (175, 250, 320, 350, 400W) HPS - High Pressure Sodium (200, 250, 400W <sup>1</sup> )				
		320W	FS - Full Spectrum				
VRS-L	2 - Type II 3 - Type III 5 - Type V FP - Perimeter Forward Throw	400W 750W 875W <sup>2</sup> 1000W	MH - Metal Halide PSMH - Pulse Start Metal Halide HPS - High Pressure Sodium				
		775W	FS - Full Spectrum				

VRS-L 5 1000 MH FG MT DBRZ NO

(EXAMPLE ORDER)

**ORDER:**  
WLS-VRS-

**FOOTNOTES:**

1 - CT required for V-M-400-HPS.  
2 - 875W available only in PSMH lamp.

\* In accordance with the 2007 Energy Independence and Security Act (EISA), fixtures will no longer be available in Probe Start Metal Halide with wattages from 150 watts through 500 watts for new installations. Replacement parts for existing fixtures are still available.

Approved By: \_\_\_\_\_ Project Name: \_\_\_\_\_

Location: \_\_\_\_\_ Date: \_\_\_\_\_

P.O. Box 100519 Fort Worth, TX 76185 800.633.8711 Fax: 817.735.4824 www.wslighting.com

**WLS LIGHTING SYSTEMS**

Consider the Impact!

02 Rev. 5/09