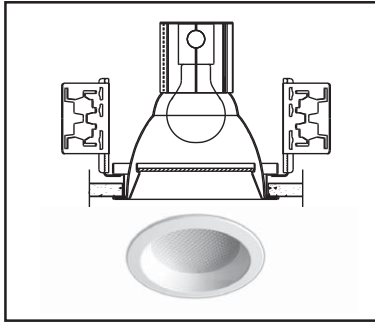


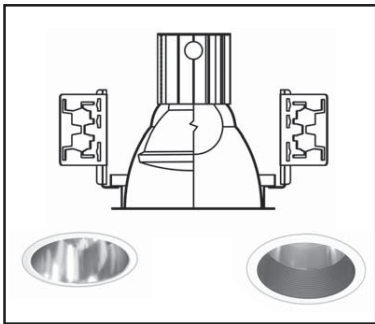
208IND SERIES

8" INCANDESCENT
RECESSED CANOPY

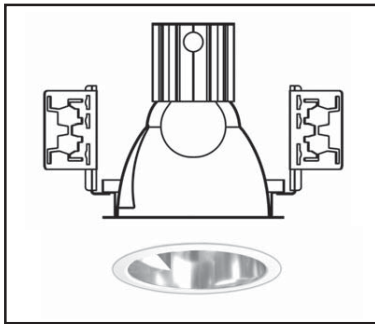
208IND-VL



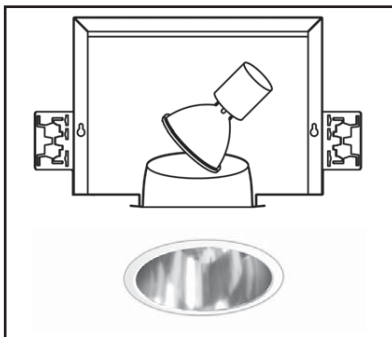
208IND-VOB



208IND-VOWW



208IND-ADJ



SPECIFICATIONS

CONSTRUCTION - Frame-in housing constructed of galvanized heavy gauge steel. Socket housing made of extruded aluminum.

ELECTRICAL - A self resetting thermal protector is provided standard.

MOUNTING - Minimized overall housing dimensions simplify installation and access to junction box. Butterfly brackets accept 27" or 52" C-Channels, nailer bars or EMT conduit. Accommodates ceilings up to 1" thick.

LISTING - UL listed to U.S. and Canadian safety standards. Non-IC rated. 206IND-VL is listed for wet locations. All others listed for damp locations only. All are listed for use with thru wiring. IBEW Union made in the U.S.A.

PRODUCT HIGHLIGHTS:

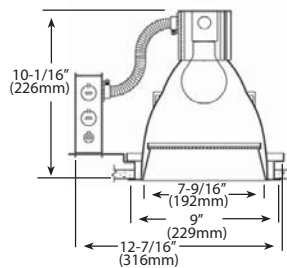
- 208IND-VL has a premium quality reflector with a white or clear semi-specular regressed splay and glass lens insert.
- 208IND-VOB and 208IND-ADJ has a premium quality open reflector with a variety of baffle options and decorative accessories.
- 208IND-VOWW has a premium quality open reflector with semi-specular wall wash insert.
- .050" spun aluminum reflector available in low-irredescent Alzak® or painted finishes. White self-trim flange.
- Vertical orientation provides medium beam spread for even illumination at higher ceiling heights or added punch at lower heights.
- Computer-aided design optimizes visual comfort, efficiency and distribution.
- Socket adjustable from below ceiling without tools.

Alzak® is a registered trademark of the Aluminum Company of America.

DIMENSIONS

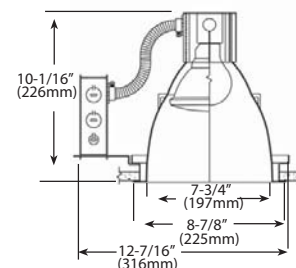
208MH-VL

ROUGH IN: 8-1/2" (216mm)



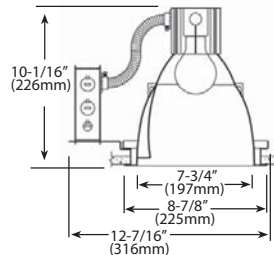
208MH-VOB

ROUGH IN: 8-1/2" (216mm)



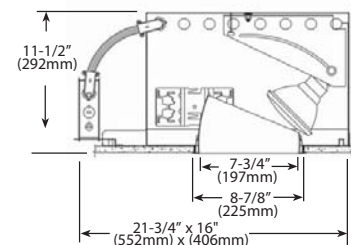
208MH-VOWW

ROUGH IN: 8-1/2" (216mm)



208MH-ADJ

ROUGH IN: 8-1/2" (216mm)



Approved By: _____ Project Name: _____

Location: _____ Date: _____

P.O. Box 100519 | Fort Worth, TX 76185 | 800.633.8711 | Fax: 817.735.4824 | www.wslighting.com

WLS LIGHTING SYSTEMS

Consider the Impact!

208IND 8" INCANDESCENT RECESSED CANOPY SERIES

ORDERING INFORMATION SELECT APPROPRIATE CHOICE FROM EACH COLUMN TO FORMULATE ORDER CODE. Refer to example below.

SERIES	LAMP WATTAGE	LIGHT SOURCE	BAFFLE/ WALL WASH	REFLECTOR FINISH	OPTIONS	ACCESSORIES
208IND-VL Lensed Vertical Lamp	200W Max.	INDP - Incandescent PAR38 INDA - Incandescent A21	NONE	CGLW - Clear Tempered Glass Lens, White Splay CGLC - Clear Tempered Glass Lens, Clear Semi-specular Splay PGLW - Prismatic Glass Lens, White Splay (C73 pattern) PGLC - Prismatic Glass Lens, Clear Semi-specular Splay (C73 pattern) FGLW - Fresnel Glass Lens, White Splay FGLC - Fresnel Glass Lens, Clear Semi-specular Splay	FUS - Fuse 277V - 277 Step down Transformer NO - No Options	C27 - 27" Channel Bars (pair) C52 - 52" Channel Bars (pair) NB - Nailor Bar Kit (set of 4) SCIK - Suspended Ceiling Installation Kit (set of 4 bars and 4 grid clips)
208IND-VOB Open & Baffled Vertical Lamp	175W Max.	INDP - Incandescent PAR38	BAFFLE BBF - Black WBF - White	CL - Clear Semi-specular CM - Clear Matte GD - Champagne Gold Semi-specular WH - White PR - Pewter Semi-specular WT - Wheat Semi-specular BZ - Bronze Semi-specular		
	200W Max.	INDA - Incandescent A21				
208IND-VOWW Open Wall Wash Vertical Lamp	200W Max.	INDA - Incandescent A21	WALL WASH WW - Single DWW - Double	CL - Clear Semi-specular CM - Clear Matte GD - Champagne Gold Semi-specular WH - White PR - Pewter Semi-specular WT - Wheat Semi-specular BZ - Bronze Semi-specular		
208IND-ADJ Open Adjustable	250W Max.	INDP - Incandescent PAR38	NONE	CL - Clear Semi-specular CM - Clear Matte GD - Champagne Gold Semi-specular WH - White PR - Pewter Semi-specular WT - Wheat Semi-specular BZ - Bronze Semi-specular		

208IND-VOB **100**
(EXAMPLE ORDER)

INDP

BBF

CL

NO

C27

ORDER:
WLS-208IND-

Approved By: _____ Project Name: _____

Location: _____ Date: _____

P.O. Box 100519 | Fort Worth, TX 76185 | 800.633.8711 | Fax: 817.735.4824 | www.wslighting.com

WLS LIGHTING SYSTEMS

Consider the Impact!

01 Rev. 9/09