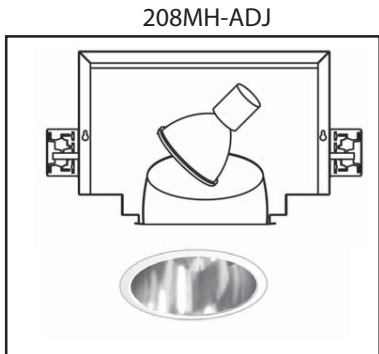
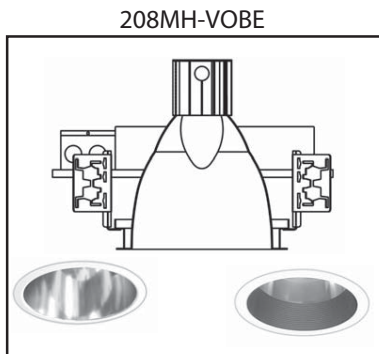
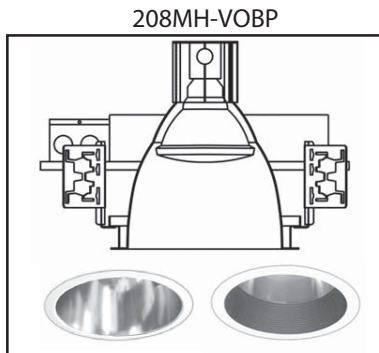
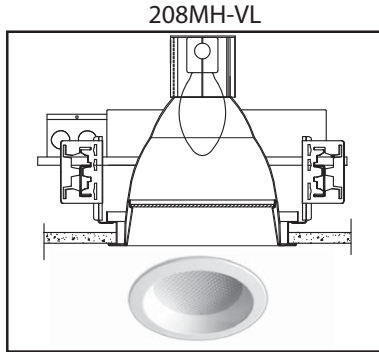


# WLS LIGHTING SYSTEMS

# 208MH 8" METAL HALIDE RECESSED CANOPY SERIES



## SPECIFICATIONS

**CONSTRUCTION** - Frame-in housing constructed of galvanized heavy gauge steel. Socket housing made of extruded aluminum.

**ELECTRICAL** - Ballast are Class P, magnetic encased and potted. Specify 120V or 277V. A self resetting thermal protector is provided standard.

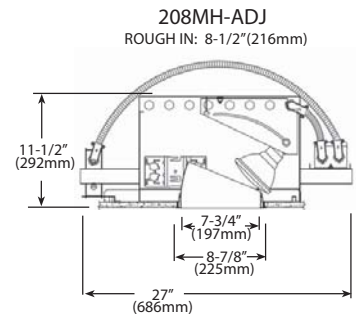
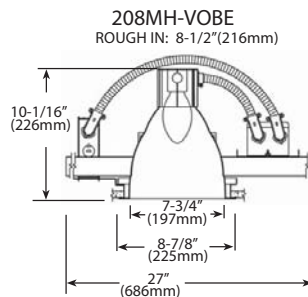
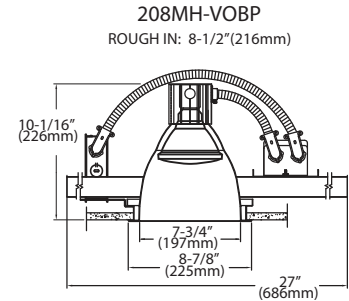
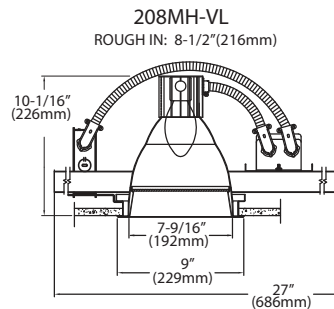
**MOUNTING** - Minimized overall housing dimensions simplify installation and access to junction box. Butterfly brackets accept 27" or 52" C-Channels, nailer bars or EMT conduit. Accommodates ceilings up to 1" thick.

**LISTING** - UL listed to U.S. and Canadian safety standards. Non-IC rated. 208MH-VL is listed for wet locations. All others listed for damp locations only. All are listed for use with thru wiring. IBEW Union made in the U.S.A.

## PRODUCT HIGHLIGHTS:

- 208MH-VL has a premium quality reflector with a white or clear semi-specular regressed splay and glass lens insert.
- All others have a premium quality open reflector with a variety of baffle options and decorative accessories.
- .050" spun aluminum reflector available in low-irredescent Alzak® or painted finishes. White self-trim flange.
- Vertical orientation provides medium beam spread for even illumination at higher ceiling heights or added punch at lower heights.
- Computer-aided design optimizes visual comfort, efficiency and distribution.
- Socket adjustable from below ceiling without tools.
- Pulse rated rejection type socket for open rated lamp for the 208MH-VL and 208MH-VOBE.

## DIMENSIONS



Alzak® is a registered trademark of the Aluminum Company of America.

Approved By: \_\_\_\_\_ Project Name: \_\_\_\_\_

Location: \_\_\_\_\_ Date: \_\_\_\_\_

P.O. Box 100519 | Fort Worth, TX 76185 | 800.633.8711 | Fax: 817.735.4824 | www.wslighting.com

**WLS LIGHTING SYSTEMS**

Consider the Impact!

# 208MH 8" METAL HALIDE RECESSED CANOPY SERIES

**ORDERING INFORMATION** SELECT APPROPRIATE CHOICE FROM EACH COLUMN TO FORMULATE ORDER CODE. Refer to example below.

SERIES	LAMP WATTAGE	LIGHT SOURCE	BAFFLE/ WALL WASH	REFLECTOR FINISH	VOLTAGE	OPTIONS	ACCESSORIES
<b>208MH-VL</b> Lensed Vertical Lamp	<b>50W</b> <b>70W</b> <b>100W</b> <b>150W</b>	<b>MHE</b> - Metal Halide ED17 Coated open rated	<b>NONE</b>	<b>CGLW</b> - Clear Tempered Glass Lens, White Splay <b>CGLC</b> - Clear Tempered Glass Lens, Clear Semi-specular Splay <b>PGLW</b> - Prismatic Glass Lens, White Splay (C73 pattern) <b>PGLC</b> - Prismatic Glass Lens, Clear Semi-specular Splay (C73 pattern) <b>FGLW</b> - Fresnel Glass Lens, White Splay <b>FGLC</b> - Fresnel Glass Lens, Clear Semi-specular Splay	<b>120V</b>  <b>377V</b>	<b>FUSE</b> - Fuse <b>SE</b> - Electronic Ballast <b>E</b> - QEH' <b>QEH</b> - Quartz Restrike (supplied with 1 - 50Watt Xenon lamp) <sup>2</sup> <b>NO</b> - No Options	<b>C27</b> - 27" Channel Bars (pair) <b>C52</b> - 52" Channel Bars (pair) <b>NB</b> - Nail Bar Kit (set of 4) <b>SCIK</b> - Suspended Ceiling Installation Kit (set of 4 bars and 4 grid clips)
<b>208MH-VOBP</b> Open & Baffled Vertical PAR Lamp	<b>70W</b> <b>100W</b>	<b>MH38</b> - Metal Halide PAR38 Coated open rated	<b>BAFFLE</b> <b>BBF</b> - Black <b>WBF</b> - White	<b>CL</b> - Clear Semi-specular <b>CM</b> - Clear Matte <b>GD</b> - Champagne Gold Semi-specular <b>WH</b> - White <b>PR</b> - Pewter Semi-specular <b>WT</b> - Wheat Semi-specular <b>BZ</b> - Bronze Semi-specular			
<b>208MH-VOBE</b> Open Wall Wash Vertical ED17 Lamp	<b>50W</b> <b>70W</b> <b>100W</b> <b>150W</b>	<b>MHE</b> - Metal Halide ED17 Coated open rated	<b>BAFFLE</b> <b>BBF</b> - Black <b>WBF</b> - White	<b>CL</b> - Clear Semi-specular <b>CM</b> - Clear Matte <b>GD</b> - Champagne Gold Semi-specular <b>WH</b> - White <b>PR</b> - Pewter Semi-specular <b>WT</b> - Wheat Semi-specular <b>BZ</b> - Bronze Semi-specular			
<b>208MH-ADJ</b> Open Adjustable	<b>70W</b> <b>100W</b> <b>150W</b>	<b>MH38</b> - Metal Halide PAR38	<b>NONE</b>	<b>CL</b> - Clear Semi-specular <b>CM</b> - Clear Matte <b>GD</b> - Champagne Gold Semi-specular <b>WH</b> - White <b>PR</b> - Pewter Semi-specular <b>WT</b> - Wheat Semi-specular <b>BZ</b> - Bronze Semi-specular			

**208MH-VL** **100** **MHE** **BBF** **CL** **120** **NO** **C27**  
(EXAMPLE ORDER)

**ORDER:**  
**WLS-208MH-** \_\_\_\_\_

**FOOTNOTES:**

- 1 - Not available with the 208MH-ADJ.  
2 - Available with the 2-08-VL and 208MH-VOBE only.

Approved By: \_\_\_\_\_ Project Name: \_\_\_\_\_

Location: \_\_\_\_\_ Date: \_\_\_\_\_

**WLS LIGHTING SYSTEMS**

P.O. Box 100519 | Fort Worth, TX 76185 | 800.633.8711 | Fax: 817.735.4824 | www.wslighting.com

Consider the Impact!