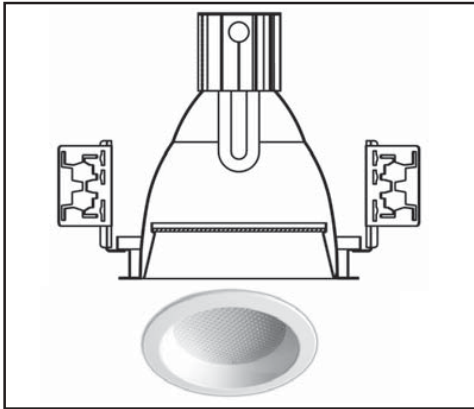
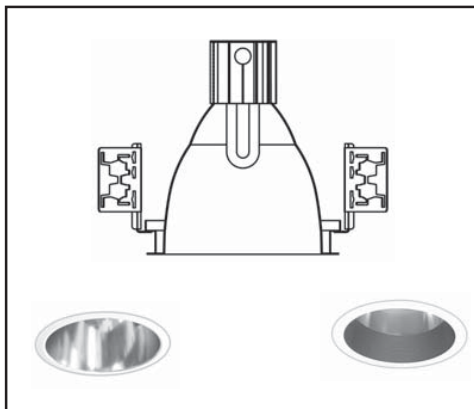


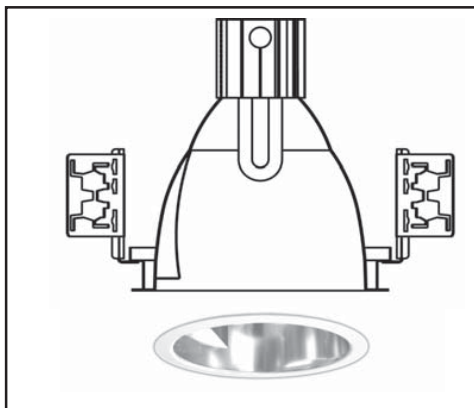
208VCFL-L



208VCFL-OB



208VCFL-OWW



## SPECIFICATIONS

**CONSTRUCTION** - Frame-in housing constructed of galvanized heavy gauge steel. Socket housing made of extruded aluminum.

**ELECTRICAL** - Ballasts are Class P, solid state electronic, universal voltage (120V thru 277V) with end-of-life shutdown protection.

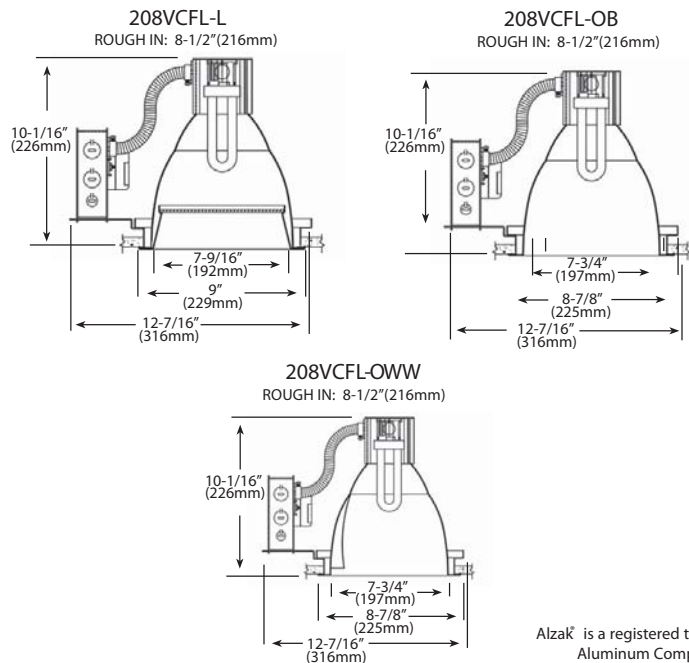
**MOUNTING** - Minimized overall housing dimensions simplify installation and access to junction box. Butterfly brackets accept 27" or 52" C-Channels, nailer bars or EMT conduit. Accommodates ceilings up to 1" thick.

**LISTING** - UL listed to U.S. and Canadian safety standards. Non-IC rated. 206VCFL-L is listed for wet locations. All others listed for damp locations only. All are listed for use with thru wiring. IBEW Union made in the U.S.A.

## PRODUCT HIGHLIGHTS:

- 208VCFL-L has a premium quality reflector with a white or clear semi-specular regressed splay and glass lens insert.
- 208VCFL-OB has a premium quality open reflector with a variety of baffle options and decorative accessories.
- 208VCFL-OWW has a premium quality open reflector with semi-specular wall wash insert.
- .050" spun aluminum reflector available in low-irradiance Alzak® or painted finishes. White self-trim flange.
- Vertical orientation provides medium beam spread for even illumination at higher ceiling heights or added punch at lower heights.
- Computer-aided design optimizes visual comfort, efficiency and distribution.
- Socket adjustable from below ceiling without tools.

## DIMENSIONS



Alzak is a registered trademark of the Aluminum Company of America.

Approved By: \_\_\_\_\_ Project Name: \_\_\_\_\_

Location: \_\_\_\_\_ Date: \_\_\_\_\_

P.O. Box 100519 | Fort Worth, TX 76185 | 800.633.8711 | Fax: 817.735.4824 | www.wslighting.com



Consider the Impact!

# 208VCFL

## 8" VERTICAL RECESSED CANOPY SERIES

**ORDERING INFORMATION** SELECT APPROPRIATE CHOICE FROM EACH COLUMN TO FORMULATE ORDER CODE. Refer to example below.

SERIES	LAMP WATTAGE	LIGHT SOURCE	LINE VOLTAGE	REFLECTOR FINISH	OPTIONS	ACCESSORIES
<b>208VCFL-L</b> Lensed	<b>18W T</b> <b>26W T</b> <b>32W T</b> <b>42W T</b>	<b>CFL</b> - Compact Fluorescent	<b>UNIV</b> - Universal	<b>PALW</b> - Prismatic Acrylic Lens, White Splay <b>PALC</b> - Prismatic Acrylic Lens, Clear Semi-specular Splay <b>PGLW</b> - Prismatic Glass Lens, White Splay (C73 pattern) <b>PGLC</b> - Prismatic Glass Lens, Clear Semi-specular Splay (C73 pattern) <b>FGLW</b> - Fresnel Glass Lens, White Splay <b>FGLC</b> - Fresnel Glass Lens, Clear Semi-specular Splay <b>CGLW</b> - Clear Tempered Glass Lens, White Splay <b>CGLC</b> - Clear Tempered Glass Lens, Clear Semi-specular Splay	<b>DB</b> - Dimming Ballast <b>EB</b> - Emergency Battery Pack <b>EBHL</b> - Emergency Battery Pack High Lumen <b>FUS</b> - Fuse <b>347</b> - 347 Volt Operation <b>E</b> - Emergency Indicator / Test Switch Mounting Hole (Use only with EB option) <b>NO</b> - No Options	<b>C27</b> - 27" Channel Bars (pair) <b>C52</b> - 52" Channel Bars (pair) <b>NB</b> - Nail Bar Kit (set of 4) <b>SCIK</b> - Suspended Ceiling Installation Kit (set of 4 bars and 4 grid clips)
<b>208VCFL-OB</b> Open & Baffled	<b>18W T</b> <b>26W T</b> <b>32W T</b> <b>42W T</b>	<b>CFL</b> - Compact Fluorescent	<b>UNIV</b> - Universal	<b>CL</b> - Clear Semi-specular <b>CM</b> - Clear Matte <b>GD</b> - Champagne Gold Semi-specular <b>WH</b> - White <b>PR</b> - Pewter Semi-specular <b>WT</b> - Wheat Semi-specular <b>BZ</b> - Bronze Semi-specular <b>BAFFLE COLOR</b> <b>BBF</b> - Black Baffle <b>WBF</b> - White Baffle		
<b>208VCFL-0WW</b> Open Wall Wash	<b>13W T</b> <b>18W T</b> <b>26W T</b> <b>32W T</b> <b>42W T</b>	<b>CFL</b> - Compact Fluorescent	<b>UNIV</b> - Universal	<b>CL</b> - Clear Semi-specular <b>CM</b> - Clear Matte <b>GD</b> - Champagne Gold Semi-specular <b>WH</b> - White <b>PR</b> - Pewter Semi-specular <b>WT</b> - Wheat Semi-specular <b>BZ</b> - Bronze Semi-specular <b>WALL WASH TYPE</b> <b>WW</b> - Single <b>DWW</b> - Double		

**208VCFL-OB 13WQ**

(EXAMPLE ORDER)

**CFL**

**UNIV**

**CL/BBF**

**NO**

**C27**

**ORDER:**

**WLS-208VCFL-**

Approved By: \_\_\_\_\_ Project Name: \_\_\_\_\_

Location: \_\_\_\_\_ Date: \_\_\_\_\_

**WLS** LIGHTING SYSTEMS

P.O. Box 100519 | Fort Worth, TX 76185 | 800.633.8711 | Fax: 817.735.4824 | www.wslighting.com

Consider the Impact!

01 Rev. 9/09