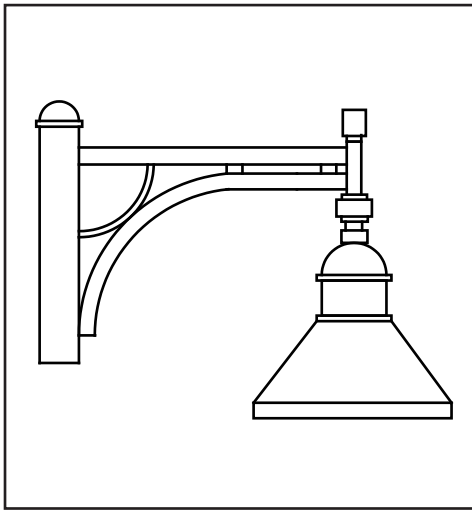


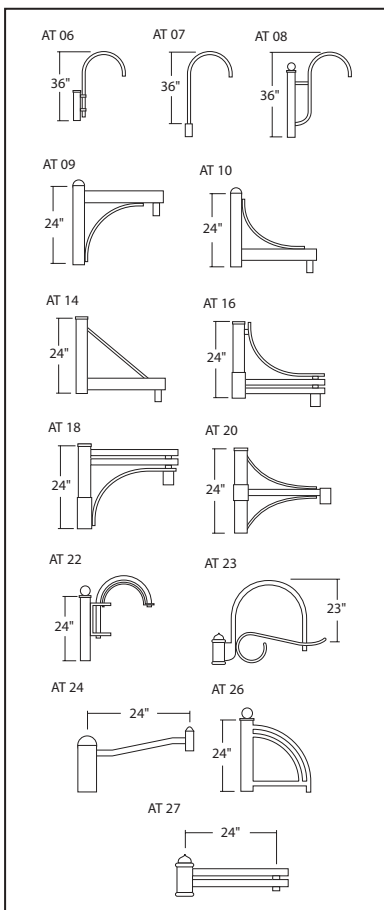
WLS LIGHTING SYSTEMS

748 SERIES

HORIZONTAL / VERTICAL LAMP
CONTOURED / FLAT GLASS LENS



DECORATIVE ARMS



listed for wet locations



SPECIFICATIONS

HOUSING - The 748 Series decorative housing is fabricated of heavy-duty spun and cast aluminum and finished to produce a clean, sharp appearance. This one-piece design ensures weather-tight construction. The bottom access cover provides ease of installation and servicing.

LENS AND FRAME - Lenses are impact resistant tempered glass. A flat glass lens is standard for the vertical lamp. Lens is sealed to the housing with a poron gasket to a one-piece lens frame.

FINISH - Fixtures are finished with a thermoset baked on polyester powder finishing process to give the fixture an exceptionally attractive appearance. The polyester finish withstands extreme weather change without cracking or peeling. Available in bronze, black, platinum, buff, white, and green. Custom colors available upon request.

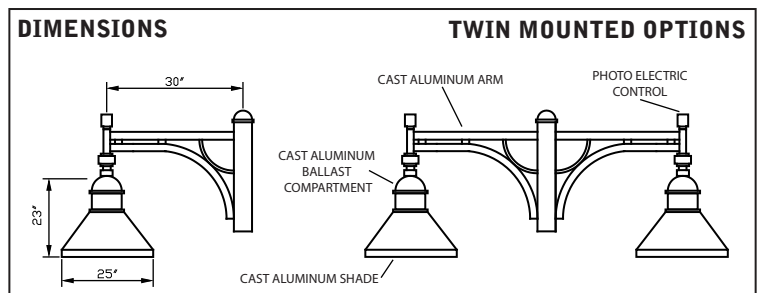
REFLECTORS / DISTRIBUTION PATTERNS - Equipped with a polished aluminum segmented reflector available in four distribution patterns. Vertical and horizontal burn lamps. Type II (2), Type III (3), Type V (5), and Perimeter Forward Throw (FP).

LIGHT SOURCES - Designed to operate with Pulse Start Metal Halide, Natural White®, Metal Halide, Super Metal Halide, Metal Halide Reduced Envelope, and High Pressure Sodium.

SOCKETS - Porcelain mogul base sockets feature spring-reinforced contacts. Rated to 600V.

BALLAST - CWA or HPF regulating auto transformers. Available in Metal Halide or High Pressure Sodium. Starting temperature is -20° F for Metal Halide, Pulse Start Metal Halide, Super Metal Halide, and Natural White®. -40° F starting temperature for High Pressure Sodium. Maximum wattage is 1000W.

ARMS - WLS offers a large selection of aluminum decorative arms available for this unit. Two of the most popular are the A23 and A24 (on left). Please consult with your sales executive for other options.



Approved By: _____ Project Name: _____

Location: _____ Date: _____

P.O. Box 100519 | Fort Worth, TX 76185 | 800.633.8711 | Fax: 817.735.4824 | www.wslighting.com

WLS LIGHTING SYSTEMS

Consider the Impact!

748 SERIES

HORIZONTAL / VERTICAL LAMP
CONTOURED / FLAT GLASS LENS

ORDERING INFORMATION SELECT APPROPRIATE CHOICE FROM EACH COLUMN TO FORMULATE ORDER CODE. Refer to example below.

SERIES	DISTRIBUTION	LAMP WATTAGE	LIGHT SOURCE*	LENS	LINE VOLTAGE ¹	LUMINAIRE FINISH	OPTIONS
748	3H - Type III Hydroformed 5 - Type V FP - Forward Throw	100W	PSMH - Pulse Start Metal Halide MH - Metal Halide HPS - High Pressure Sodium	FG - Flat Glass CT - Contoured Glass	480V MT - Multi Tap ² TT - Tri-Tap ³	BLK - Black WHT - White DGRN - Dark Green DBRZ - Dark Bronze CC - Custom Color	LL - Less Lamp GS - Glare Shield VL - Vertical Lamp BKT-WM - Wall Mount Plate QR - Quartz Restrike SF - Single Fusing DF - Double Fusing PC - Photocell NO - No Options
		175W					
		250W					
		400W					
		250W 320W 350W 400W					

748 **5** **400** **PSMH** **FG** **MT** **BRZ** **NO**

(EXAMPLE ORDER)

ORDER:
WLS-748-

FOOTNOTES:

- 1 - Consult factory for international voltages. (120V, 277V, 347V)
- 2 - MT - Multi Tap is shipped standard unless otherwise specified. (Multi Tap consists of 120V, 208V, 240V, and 277V. Multi Tap is pre-wired for highest voltage. Alternate voltages will require field re-wiring.
- 3 - TT - Tri-Tap consists of 120V, 277V, and 347V. Tri-Tap is pre-wired for highest voltage. Alternate voltages will require field re-wiring.

* In accordance with the 2007 Energy Independence and Security Act (EISA), fixtures will no longer be available in Probe Start Metal Halide with wattages from 150 watts through 500 watts for new installations. Replacement parts for existing fixtures are still available.

Approved By: _____ Project Name: _____

Location: _____ Date: _____

WLS LIGHTING SYSTEMS