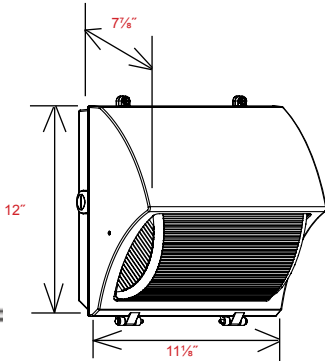


# ACC SERIES

SEMI-CUTOFF INDUCTION



### DIMENSIONS



### SPECIFICATIONS

**HOUSING** - Die-cast housing and hinged front frame with stainless steel hinge pins. 1/2" coin plugs with o-ring for conduit and photocell. Textured architectural powder coat finish over a chromate conversion coating. Includes safety cable to prevent front frame impact when relamping.

**REFLECTOR** - Aluminum reflector.

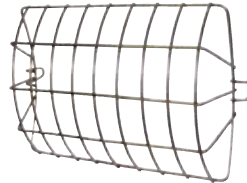
**LENS** - Prismatic borosilicate molded glass lens.

**MOUNTING** - Cast-in template for mounting directly over a 4" recessed outlet box, or use 1/2" surface conduit.

**WATTAGE** - Induction: 40W, 5000K.

**FINISH** - Available colors are bronze, black, white, gray and graphite. Custom colors are available upon request (consult factory).

**LISTINGS & RATINGS** - CSA: Listed for wet locations.



WG

### ORDERING INFORMATION

SELECT APPROPRIATE CHOICE FROM EACH COLUMN TO FORMULATE ORDER CODE.  
Refer to example below.

SERIES	DISTRIBUTION	LAMP WATTAGE	LIGHT SOURCE	LINE VOLTAGE	LUMINAIRE FINISH	ACCESSORIES
ACC	AR - Aluminum Reflector	40W	IND - Induction	120V 277V	BRZ - Bronze BLK - Black WHT - White GRY - Grey GPT - Graphite CC - Custom Color	WG - Wire guard, stainless steel construction NO - No Option

**ACC AR 40 IND 120 BRZ NO**

(EXAMPLE ORDER)

**ORDER :**

**WLS-ACC** \_\_\_\_\_

Approved By: \_\_\_\_\_ Project Name: \_\_\_\_\_

Location: \_\_\_\_\_ Date: \_\_\_\_\_

P.O. Box 100519 | Fort Worth, TX 76185 | [www.wslighting.com](http://www.wslighting.com)

**WLS LIGHTING SYSTEMS**

Consider the Impact!