

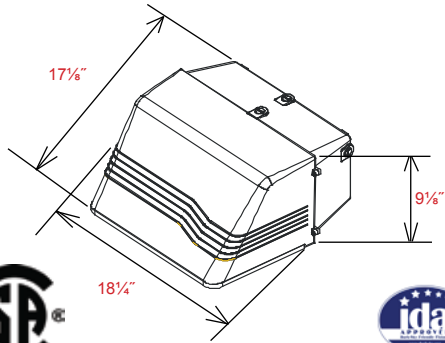
WLS LIGHTING SYSTEMS

CNI SERIES

FULL CUTOFF INDUCTION



DIMENSIONS



SPECIFICATIONS

HOUSING - Die-cast housing and hinged front frame with stainless steel hinge pins. 1/2" coin plugs with o-ring for conduit and photocell. Textured architectural powder coat finish over a chromate conversion coating.

REFLECTOR - Aluminum reflector.

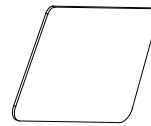
LENS - Tempered flat clear glass lens.

MOUNTING - Cast-in template for mounting directly over a 4" recessed outlet box, or use 1/2" surface conduit.

WATTAGE - Induction: 80W, 5000K.

FINISH - Available colors are bronze, black, white, gray and graphite. Custom colors are available upon request (consult factory).

LISTINGS & RATINGS - CSA: Listed for wet locations.



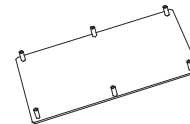
CF



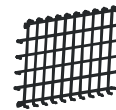
EF



PF



VG



WG

ORDERING INFORMATION

SELECT APPROPRIATE CHOICE FROM EACH COLUMN TO FORMULATE ORDER CODE.
Refer to example below.

SERIES	DISTRIBUTION	LAMP WATTAGE	LIGHT SOURCE	LINE VOLTAGE	LUMINAIRE FINISH	ACCESSORIES
CNI	AR - Aluminum Reflector	80W	IND - Induction	120V 277V	BRZ - Bronze BLK - Black WHT - White GRY - Grey GPT - Graphite CC - Custom Color	CF - Clear flat glass lens EF - Etched flat glass lens PF - Prismatic flat glass lens VG - Clear polycarbonate vandal resistant guard WG - Wire guard, stainless steel construction NO - No Option

CNI AR 80 IND 120 BRZ NO

(EXAMPLE ORDER)

ORDER :

WLS-CNI _____

Approved By: _____ Project Name: _____

Location: _____ Date: _____

P.O. Box 100519 | Fort Worth, TX 76185 | www.wslighting.com



Consider the Impact!