

WLS LIGHTING SYSTEMS

DGI DELUXE GARAGE LIGHTER / INDUCTION SERIES

SPECIFICATIONS

HOUSING - Heavy duty round die-cast aluminum housing. Textured bronze powdercoat finish over a chromate conversion coating. Custom colors available upon request.

LENS - Clear polycarbonate prismatic optical housing with hinged gasket and drop lens for easy relamping.

REFLECTOR - Two-piece aluminum reflector - upper section removes to create uplight. Lower section can also be removed.

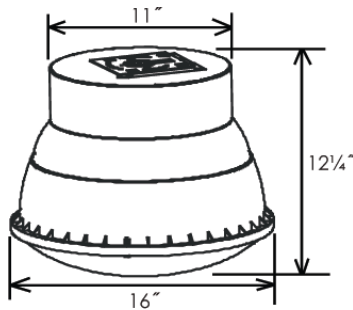
LIGHT SOURCES - 40 watt or 80 watt induction lamp.

MOUNTING - Easy-Hang bracket fits standard 4" electrical box, allowing 1-person installation.

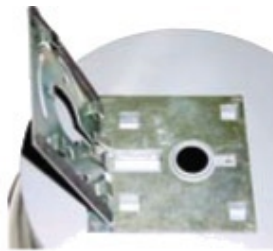
WARRANTY - 5 year warranty for 40 watt. 10 year warranty for 80 watt.



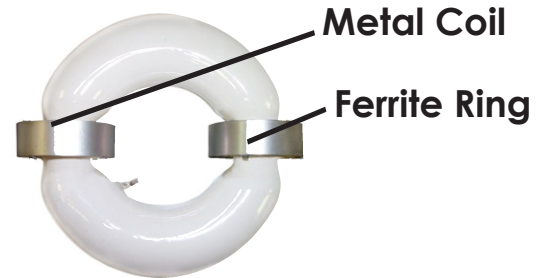
DIMENSIONS



CSA Certified
Listed for damp locations



MOUNTING BRACKET



Visible Light



ORDERING INFORMATION SELECT APPROPRIATE CHOICE FROM EACH COLUMN TO FORMULATE ORDER CODE. Refer to example below.

SERIES	LAMP WATTAGE	LIGHT SOURCE	LINE VOLTAGE	LUMINAIRE FINISH	OPTIONS
DGI	40 80	IND - Induction	120V 277V	BRZ - Bronze GPT - Graphite BLK - Black WHT - White GRY - Grey CC - Custom Color	NO - No Options

DGI 80 IND 120 BRZ NO

(EXAMPLE ORDER)

ORDER :
WLS-DGI

Approved By: _____ Project Name: _____

Location: _____ Date: _____

P.O. Box 100519 | Fort Worth, TX 76185 | 800.633.8711 | Fax: 817.735.4824 | www.wslighting.com

WLS LIGHTING SYSTEMS

Consider the Impact!