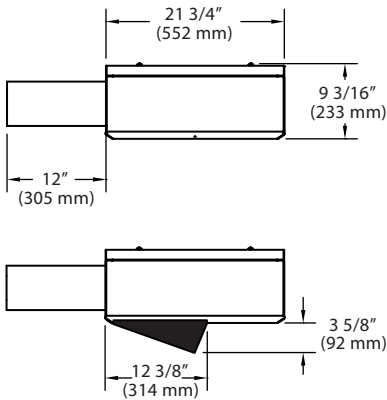




DIMENSIONS



House Side Shield
Type FTA (465915 BLK)

LIGHT OUTPUT - FVL-128			
	Lumens (Nominal)		Watts
	Type 5	Type FTA	
350 mA	10450	12150	137
450 mA	12450	14850	180

LIGHT OUTPUT - FVL-176			
	Lumens (Nominal)		Watts
	Type 5	Type FT	
350 mA	16620	18260	195
450 mA	20020	21610	260

SPECIFICATIONS

HOUSING - Square, die-formed aluminum. Fully enclosed weather tight housing contains factory prewired driver and field connections.

TOP-ACCESS COVER - Tethered top-access cover provides ease of installation and allows for easy driver access. Four captive stainless steel fasteners secure the top-access cover for the housing.

OPTICAL UNIT - Clear tempered optical grade flat glass lens sealed to aluminum housing creates an IP67 rated, sealed optical unit. Pressure stabilizing breather allows super-tight IP67 protection while preventing temperature cycling from building up internal pressures and vacuums that can stress optical unit seals and components. Patented integral single-blade heat sink does not trap dirt and grime, ensuring cool running performance over the life of the fixture.

LEDS - Select high-brightness LEDs. 5300°K color temperature (nominal). 70 CRI (nominal).

EXPECTED LIFE - Minimum 60,000 hours to 100,000 hours depending upon the ambient temperature of the installation location.

DISTRIBUTION - Types 5, FT, FT-L, FT-R FTA, FTA-L and FTA-R. Exceptional uniformity with full cutoff created bright environment at lower light levels. Improved backlight cutoff minimizes light trespass. FT-L, FT-R, FTA-L and FTA-r allows for D180° mounting configurations with factory set optics for front row automotive applications.

DRIVER - Available in 350mA and 450mA drive currents (Drive currents are factory programmed). State-of-the-art driver technology designed specifically for WLS LED light sources provides unsurpassed system efficiency. Components are fully encased in potting material for IP68 moisture resistance. Driver complies with IEC and FCC standards.

MOUNTING - 2-1/2" x 5-3/8" x 12" extruded aluminum arm mounting bracket shipped standard. 8" bracket available for single or D180 configurations, but must be ordered from the Options column of ordering chart. Use with standard steel round, square and round tapered poles. Round Pole Plate (RPP) required for mounting to 3"-5" round poles. (See Accessories)

OPERATING TEMPERATURE - -40°C to +50°C (-40°F to +122°)

FINISH - Fixtures are finished with WLS DuraGrip® polyester powder coat finishing process. The DuraGrip finish withstands extreme weather changes without cracking or peeling, and is guaranteed for five full years. Standard colors include bronze, black, platinum plus, buff, white, satin verde green, graphite, and metallic silver. Custom colors available upon request.

WARRANTY - WLS LED fixtures carry a limited 5-year warranty.

SHIPPING WEIGHT (IN CARTON) - 36.5 lbs. (16.6kg) fixture; 5 lbs. (2kg) arm.

LISTING - ETL listed in U.S. and Canada safety standards. Suitable for wet locations.



IP67



Suitable for wet locations



Approved By: _____ Project Name: _____

Location: _____ Date: _____

1919 Windsor Place ■ Fort Worth, TX 76110 ■ 800.633.8711 ■ Fax: 817.735.4824 ■ www.wslighting.com

WLS LIGHTING SYSTEMS

Consider the Impact!

FVL ^{LED} SERIES

ORDERING INFORMATION SELECT APPROPRIATE CHOICE FROM EACH COLUMN TO FORMULATE ORDER CODE. Refer to example below.

SERIES	DISTRIBUTION	# OF LEDs	LIGHT SOURCE	DRIVE CURRENT	COLOR TEMPERATURE	LINE VOLTAGE	LUMINAIRE FINISH	OPTIONS	ACCESSORIES
FVL ¹	FT - Forward Throw FT-L - FT Optic Rotated For Parrallel D180 Mount (Left Side) FT-R - FT Optic Rotated For Parrallel D180 Mount (Right Side) FTA - Forward Throw Automotive FTA-L - FTA Optic Rotated for Parallel D180 Mount (Left Side) FTA-R - FTA Optic Rotated for Parallel D180 Mount (Right Side) 3 - Type III 5 - Type V	128 176	LED	350 - 350mA 450 - 450mA	CW - Cool White (5300°K nom.)	UE - Universal Voltage (120-277) 347 - 480	BRZ - Bronze BLK - Black PLT - Platinum Plus BUF - Buff WHT - White SVG - Satin Verde Green GPT - Graphite MSV - Metallic Silver CC - Custom Color	8BK - 8" Bracket (S and D180 only) PC - Button-Type Photocell TB - Terminal Block NO - No Options	GS - Glare Shield ² RPP - Round Pole Plate WM - Wall Mount Plate RA - Radius Arm UB - Upsweep Bracket for round or square poles NA - No Accessories

FVL **5** **128** **LED** **350** **CW** **UE** **BRZ** **NO** **NA**

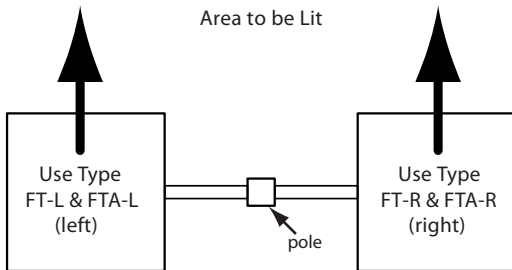
(EXAMPLE ORDER)

ORDER:
WLS-FVL

FOOTNOTES:

- 1- Order standard WLS bolt-on poles.
- 2- Glare Shield adds to fixture EPA. Consult factory.

LEFT AND RIGHT VERSIONS OF TYPE FTA REFLECTORS (TOP VIEW)



	8" Bracket	12" Bracket
Single	2.1	2.3
D180°	4.3	4.6
D90°	12" Bracket Required	4.1
T90°		6.7
TN120°		6.8
Q90°		8.2

Note: Distributions are not field-rotatable. For D180 Forward Throw installations specify left (FTA-L) and/or right (FTA-R) side mounting. Orientation is based on standing at the pole looking out at the area to be lit.

Approved By: _____ Project Name: _____

Location: _____ Date: _____

1919 Windsor Place ■ Fort Worth, TX 76110 ■ 800.633.8711 ■ Fax: 817.735.4824 ■ www.wslighting.com

WLS LIGHTING SYSTEMS

Consider the Impact!