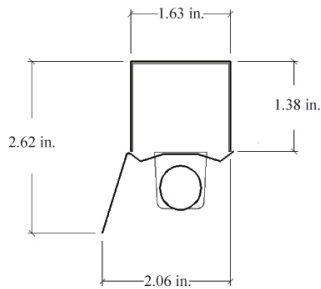
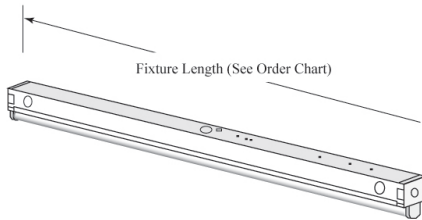


KDS MINI BODY STRIP SERIES



DIMENSIONS



SPECIFICATIONS

INTENDED USE - Specification grade, mini body strip for size critical applications such as display cabinets, coves, and other areas where space is at a premium. Available with T5 and T5HO lamps.

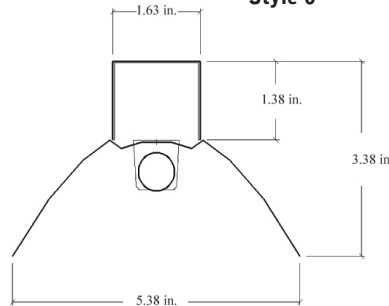
DIMENSIONS - (W x L x H in inches) - 1.62W x 1.62H (40 x 40)
 Fixture length is the same as the lamp(s) length.

MATERIALS AND FEATURES - Housing is die-formed and embossed code 22 gage steel. Finish is high reflectance baked white enamel. Wiring knockouts are provided on back, side, and end of housing. Ballast covers or reflectors attach without tools to simplify ballast access.

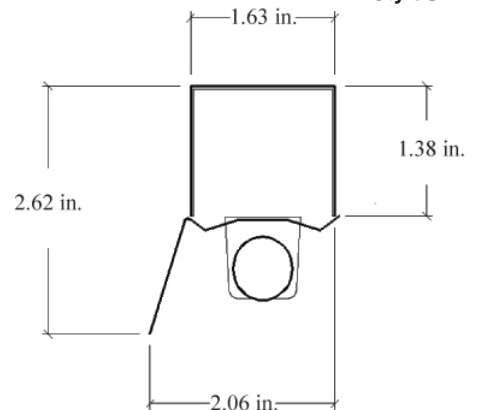
- Single unit length and tandem length fixture available.
- T5 and T5HO lamp styles.
- W3x, economical white steel reflectors, for abusive locations
 Two styles: symmetric and asymmetric.
- M2, premium full specular (mirrored) reflectors, for maximum efficiency
 Two styles: symmetric and asymmetric.

The KDS series feature one lamp position, surface mounting and is UL listed. The ballast is a thermally protected, class P, HPF, Non PCB unless otherwise specified.

Style 0



Style 5



Approved By: _____ Project Name: _____

Location: _____ Date: _____

P.O. Box 100519 | Fort Worth, TX 76185 | 800.633.8711 | Fax: 817.735.4824 | www.wslighting.com

WLS LIGHTING SYSTEMS

Consider the Impact!

KDS MINI BODY STRIP SERIES

ORDERING INFORMATION SELECT APPROPRIATE CHOICE FROM EACH COLUMN TO FORMULATE ORDER CODE. Refer to example below.

SERIES	LAMP COUNT	LAMP TYPE	BALLAST & REFLECTOR ³	VOLTAGE	OPTIONS
KDS	1 - Single Lamp	14 - 14W T5 Fixture Length = 21.62 in. 21 - 21W T5 Fixture Length = 33.38 in. 28 - 28W T5 Fixture Length = 45.25 in. 8ft. Tandem (2 lamp positions total) ^{1,2} 35 - 35W T5 Fixture Length = 57.12 in. 24 - 24W T5HO Fixture Length = 21.62 in. 39 - 39W T5HO Fixture Length = 33.38 in. 54 - 54W T5HO Fixture Length = 45.25 in. 8ft. Tandem (2 lamp positions total) ^{1,2} 80 - 80W T5HO Fixture Length = 57.12 in.	Blank - No Reflectors W30 - White Steel reflector Standard Mount W35 - White Steel reflector Asymmetric M20 - Mirrored reflector Standard Mount M25 - Mirrored reflector Standard Mount	E120 - Electronic, 120V E277 - Electronic, 277V MV - Electronic, Multivolt (120 - 277)	WP - 6ft. 3 wire 18 gauge whip CS - 8ft. 3/18 3 prong (5-15P) cord and plug D - Ballast Disconnect NO - No Options

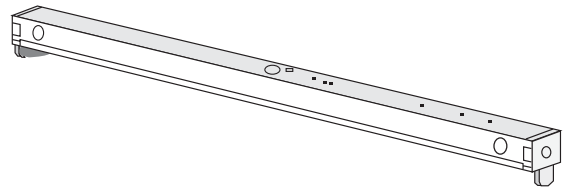
KDS **1** **14** **W30** **MV** **NO**

(EXAMPLE ORDER)

ORDER:
WLS-KDS _____

FOOTNOTES:

- 1-Tandem doubles length and lamp count. Same lamps in cross section, additional lamps end to end.
- 2- Tandem not stocked. Contact factory for availability.
- 3- Custom reflector available to create any light distribution.



Approved By: _____ Project Name: _____

Location: _____ Date: _____

WLS LIGHTING SYSTEMS