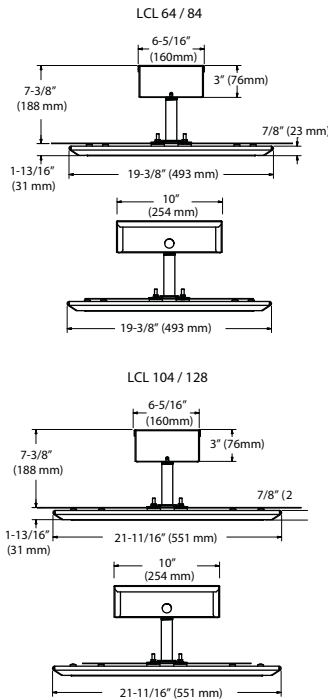




DIMENSIONS



IP67



Intertek
Suitable for wet locations



SPECIFICATIONS

LEDS - Four LED array choices; 64 and 84 (19.4" square optical unit) and 104 and 128 (21.7" square). Each feature select level brightness LEDs; 5300°K color temperature, 70 CRI (nominal).

DRIVE CURRENT OPTIONS - Choose from three drive current levels; 350 mA (most energy-efficient), 450 mA or 550 mA (best first-cost value).

OPTICS / DISTRIBUTION - Ultra high efficiency reflectors provide three distributions to meet your lighting needs. Choose from symmetric, asymmetric (for directing light toward or away from selected areas), or enhanced symmetric (for increased brightness and attraction from the road). Luminaire is rated full cutoff.

OPTICAL UNIT - Featuring an ultra-slim 1" profile, housing is die-formed aluminum with a clear tempered glass lens. Unit is water-resistant, sealed to an IP67 rating. Patented integral single blade heat sink does not trap dirt and grime, ensuring cool running performance over the life of the fixture.

THE INDUSTRY'S ONLY BREATHABLE SEAL - Teflon® breather allows super-tight IP67 protection while preventing temperature cycling from building up internal pressures and vacuums that can stress optical unit seals and components.

DRIVER - Proprietary, state-of-the-art SmartTec™ driver technology provides unsurpassed system efficiency, control and protection. Components are fully encased in potting for IP67 moisture resistance, Complies with IEC and FCC standards.

DRIVER HOUSING - Wet location rated driver / electrical enclosure is elevated above canopy deck to help prevent water entry and to provide easy "knock-out" connection of primary wiring.

FINISH - Fixtures are finished with WLS's DuraGrip® polyester powder coat finishing process. The DuraGrip finish withstands extreme weather changes without cracking or peeling, and is guaranteed for five full years. Standard color is white.

OPERATING TEMPERATURE - -40°C to -50°C (-40°F to 122°F).

ELECTRICAL - Universal voltage power supply, 120-277 VAC, 50 / 60 Hz input. C-Medium surge protection (10KV, 5KA per ANSI C62.41).

INSTALLATION - Installs in a 12" or 16" deck pan. Deck penetration consists of 5 drilled holes simplifying installation and water sealing.

EXPECTED LIFE - Minimum 60,000 hours to 100,000 hours depending upon the ambient temperature of the installation location.

WARRANTY - WLS LED fixtures carry a limited 5-year warranty.

LISTING - ETL listed to UL1598, UL8750 and other U.S. and International safety standards. Suitable for wet locations.

Approved By: _____ Project Name: _____

Location: _____ Date: _____

P.O. Box 100519 | Fort Worth, TX 76185 | 800.633.8711 | Fax: 817.735.4824 | www.wslighting.com



Consider the Impact!

LCL LED AMBIENT CANOPY SERIES

ORDERING INFORMATION SELECT APPROPRIATE CHOICE FROM EACH COLUMN TO FORMULATE ORDER CODE. Refer to example below.

SERIES	DISTRIBUTION	LIGHT SOURCE	# OF LEDs	COLOR TEMPERATURE	LENS	INPUT VOLTAGE	LUMINAIRE FINISH	OPTIONS
LCL	S - Symmetrical A - Asymmetric ES - Enhanced Symmetric	LED	64 84	350 - 350 mA 450 - 450 mA 550 - 550 mA	CW - Cool White (5750°K nom.)	UE - Universal Voltage (120-277 AC)	WHT - White	IPC - Integral Photocell IMS - Integral Motion Sensor NO - No Options
			104 128	350 - 350 mA 450 - 450 mA				

LCL S LED 64 350 CW UE WHT NO

(EXAMPLE ORDER)

ORDER:
WLS-LCL _____

Approved By: _____ Project Name: _____

Location: _____ Date: _____

WLS LIGHTING SYSTEMS

P.O. Box 100519 | Fort Worth, TX 76185 | 800.633.8711 | Fax: 817.735.4824 | www.wslighting.com

Consider the Impact!

01 Rev. 7/10