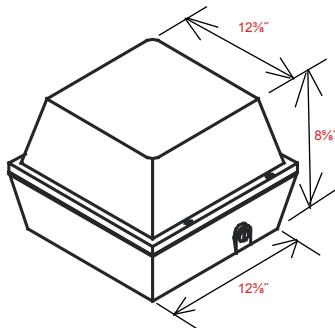


# WLS LIGHTING SYSTEMS

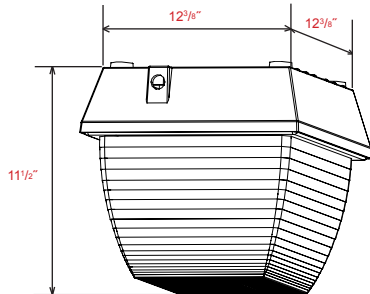
# LVI VANDAL RESISTANT INDUCTION SERIES



## DIMENSIONS



LVI-L



LVI-D



## SPECIFICATIONS

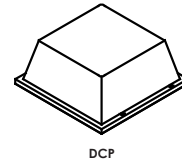
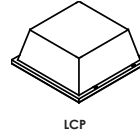
**HOUSING** - Die-cast aluminum housing. 1/2" coin plugs with o-rings for conduit and photo-cells on two sides and back. Textured architectural powder coat finish over a chromate conversion coating.

**REFLECTOR** - Powder coat white steel reflector.

**LENS** - LVI-L features a clear prismatic polycarbonate lens. LVI-D features an 8" deep clear prismatic polycarbonate lens.

**MOUNTING** - Mount directly over a 4" recessed outlet box, or use 1/2" surface conduit or Quick-Mount bracket.

**WATTAGE** - 40W, 5000K.



## ORDERING INFORMATION

SELECT APPROPRIATE CHOICE FROM EACH COLUMN TO FORMULATE ORDER CODE. Refer to example below.

SERIES	DISTR.	LAMP WATT.	LIGHT SOURCE	LINE VOLTAGE	LUMINAIRE FINISH	OPTIONS
LVI-L	CPL - Clear prismatic reflector	40W	IND - Induction	120V 277V	BRZ - Bronze BLK - Black BUF - Buff WHT - White GPT - Graphite CC - Custom Color	EH - External hood LCP - Large clear prismatic polycarbonate lens with 4 screw holes DCP - 8" clear prismatic polycarbonate lens QMB - Hinged Quick-Mount bracket, stamped steel, mount over recessed electrical box or use 3/4" NPT downrod for pendant mount GPT - Graphite NO - No options
LVI-D	8CPL - 8" Clear prismatic reflector					

LVI-L CPL 40 IND 120 BRZ NO

(EXAMPLE ORDER)

ORDER :  
WLS-LVI- \_\_\_\_\_

Approved By: \_\_\_\_\_ Project Name: \_\_\_\_\_

Location: \_\_\_\_\_ Date: \_\_\_\_\_

P.O. Box 100519 | Fort Worth, TX 76185 | 800.633.8711 | Fax: 817.735.4824 | www.wslighting.com

**WLS** LIGHTING SYSTEMS

Consider the Impact!