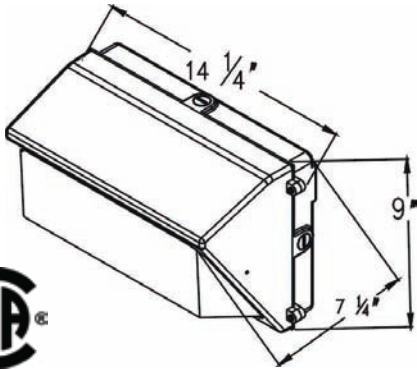


WLS LIGHTING SYSTEMS

PEI INDUCTION AREA / WALL MOUNT SERIES



DIMENSIONS



SPECIFICATIONS

HOUSING - Die-cast housing and hinged front frame, 1/2" Coin plugs with O-rings for conduit and photocell. Textured architectural bronze powder coat finish over a chromate conversion coating.

REFLECTOR - Aluminum reflector.

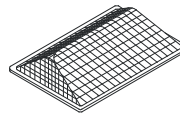
LENS - Molded prismatic borosilicate glass lens.

MOUNTING - Cast-in template for mounting directly over a 4" recessed outlet box, or use 1/2" surface conduit.

WATTAGE - Induction: 40W, 5000K.

FINISH - Available colors are bronze, black, white, gray and graphite. Custom colors are available upon request (consult factory).

LISTINGS & RATINGS - CSA: Listed for wet locations.



PGL



GS
(Shown Mounted)



SGS
(Shown Mounted)



VRG
(Shown Mounted)



WG
(Shown Mounted)

ORDERING INFORMATION SELECT APPROPRIATE CHOICE FROM EACH COLUMN TO FORMULATE ORDER CODE. Refer to example below.

SERIES	DISTRIBUTION	LAMP WATTAGE	LIGHT SOURCE	LINE VOLTAGE	LUMINAIRE FINISH	ACCESSORIES
PEI	AR - Aluminum Reflector	40W	IND - Induction	120V 277V	BRZ - Bronze BLK - Black WHT - White GRY - Grey GPT - Graphite CC - Custom Color	PGL - Molded prismatic borosilicate glass lens with gasket GS - Full cutoff, stamped steel, textured bronze finish glare shield SGS - Side cutoff, stamped steel, textured bronze finish side glare shield VRG - Clear polycarbonate vandal resistant guard WG - Wire guard, stainless steel construction NO - No Option

PEI

AR

80

IND

120

BRZ

NO

(EXAMPLE ORDER)

ORDER :

WLS-PEI _____

Approved By: _____ Project Name: _____

Location: _____ Date: _____

P.O. Box 100519 | Fort Worth, TX 76185 | www.wslighting.com

WLS LIGHTING SYSTEMS

Consider the Impact!