

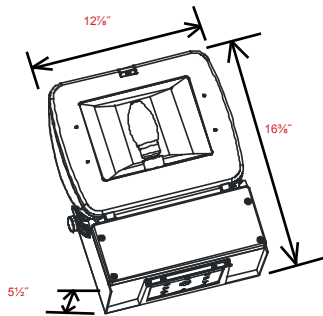
WLS LIGHTING SYSTEMS

SAJ SERIES

AREA / WALL MOUNT



DIMENSIONS



SPECIFICATIONS

HOUSING - Die-cast housing, front frame & ballast box with powder coat finish over a chromate conversion coating. Housing swivels from 0° to 30° & includes angle indicators at adjustment points. Hinged front frame and latch for tool-less entry for relamping.

REFLECTOR - Smooth aluminum reflector or flood reflector.

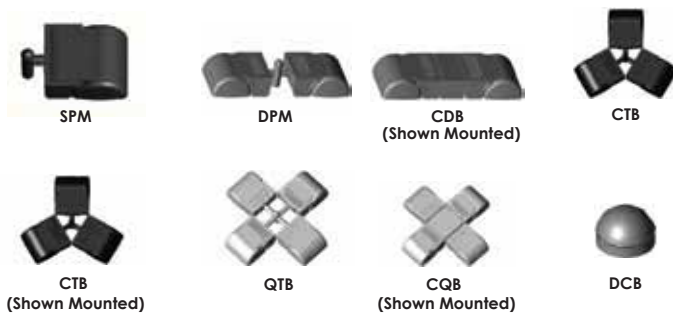
LENS - Tempered glass lens.

MOUNTING - Easy-Hang wall bracket included, allows one person mounting. Optional pole mount brackets are for one to four fixtures.

WATTAGE - Induction: 40W, 5000K.

FINISH - Available colors are bronze, black, white, gray and graphite. Custom colors are available upon request (consult factory).

LISTINGS & RATINGS - CSA: Listed for wet locations.



ORDERING INFORMATION

SELECT APPROPRIATE CHOICE FROM EACH COLUMN TO FORMULATE ORDER CODE.
Refer to example below.

SERIES	DISTRIBUTION	LAMP WATTAGE	LIGHT SOURCE	LINE VOLTAGE	LUMINAIRE FINISH	ACCESSORIES
SAJ	SA - Smooth Aluminum FR - Flood Reflector	40W	IND - Induction	120V 277V	BRZ - Bronze BLK - Black WHT - White GRY - Grey GPT - Graphite CC - Custom Color	SPM - Single Pole Mount Bracket, Steel DPM - Double Pole Mount, Steel CDB - Cover for Double Bracket, Aluminum TPM - Triple Pole Mount, Steel CTB - Cover for Triple Bracket, Aluminum QPM - Quad Pole Mount Bracket, Steel CQB - Cover for Quad Bracket, Aluminum DCB - Decorative Cap for Brackets NO - No Option

SAJ SA 40 IND 120 BRZ NO

(EXAMPLE ORDER)

ORDER :

WLS-SAJ

Approved By: _____ Project Name: _____

Location: _____ Date: _____

P.O. Box 100519 | Fort Worth, TX 76185 | www.wslighting.com

WLS LIGHTING SYSTEMS

Consider the Impact!