

WLS LIGHTING SYSTEMS

SC SERIES

VERTICAL LAMP / CONTOURED GLASS LENS

SURFACE MOUNT



RECESSED



SPECIFICATIONS

HOUSING - One piece die-formed aluminum housing with powder coat finish. One conduit knock-out allows easy wiring. Recessed applications will include thermal protector device.

DOOR FRAME - Features an integral hinged die-cast aluminum lens frame. Door frame closes and locks with stainless steel spring catch, allowing easy access for ground relamping.

LENS / GASKET - Deep Profile : Dropped borosilicate glass lens with a continuous one piece extruded high temperature gasket to ensure maximum sealing to the housing.
Low Profile : Borosilicate shallow glass lens with a continuous one piece extruded high temperature gasket to ensure maximum sealing to the housing.

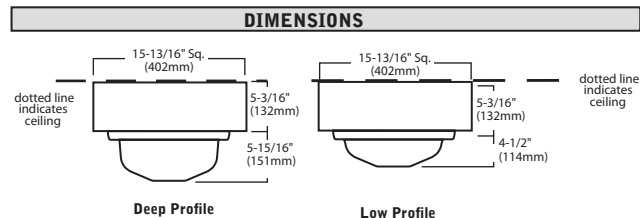
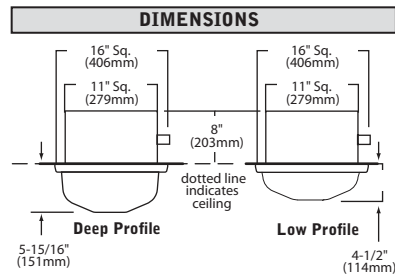
FINISH - Each fixture is finished with WLS DuraGrip® polyester powder coat finishing process. The DuraGrip® finish withstands extreme weather changes without cracking or peeling, and is guaranteed for five full years. Standard color is white.

REFLECTORS / DISTRIBUTION PATTERNS - A vertical burn optical system and symmetrical highly specular reflector provide a uniform distribution of light, reduce hot spots and add additional illumination to vertical surfaces. Internal shielding and soft lighting diffuser options are available. Photometric data is tested in accordance with IESNA guidelines.

LIGHT SOURCES - Pulse-Start Metal Halide or Metal Halide Reduced Envelope. Clear lamp is supplied as standard. Recessed fixture available in Pulse-Start Metal Halide only.

INSTALLATION / MOUNTING - The SC Series installation makes it the most installer-friendly product available. Non-metal ceilings and ground relamp feature may require framing by contractor. Not for use on grid ceiling applications.

BALLAST - High-power factor type ballasts. Pulse-Start Metal Halide and Metal Halide fixtures feature CWA ballast, designed for -20° F operation.



Approved By: _____ Project Name: _____

Location: _____ Date: _____

P.O. Box 100519 | Fort Worth, TX 76185 | 800.633.8711 | Fax: 817.735.4824 | www.wslighting.com

WLS LIGHTING SYSTEMS

Consider the Impact!

SC SERIES

VERTICAL LAMP / CONTOURED GLASS LENS

ORDERING INFORMATION SELECT APPROPRIATE CHOICE FROM EACH COLUMN TO FORMULATE ORDER CODE. Refer to example below.

LUMINAIRE	DISTRIBUTION	LAMP WATTAGE	LIGHT SOURCE*	LENS	LINE VOLTAGE	LUMINAIRE FINISH	OPTIONS
SC-SM	S - Symmetrical	175W 250W 320W 400W	PSMH - Pulse-Start Metal Halide 175, 250, 320 Watt PSMHR - Pulse-Start Metal Halide Reduced 400 Watt	DP - Deep Profile	480V MT - Multi Tap ³ TT - Tri Tap ²	WHT - White	LL - Less Lamp IGS - Internal Glare Shield (Use with DP lens only) SLD - Soft Light Diffuser (Use with DP lens only) GLC - Ground Lamp Changer 250, 320, 400 (reduced) Watt NO - No Options
		150W 200W	PSMH - Pulse-Start Metal Halide 200 Watt CMH - Ceramic Metal Halide 150 Watt	LP - Low Profile			
SC-RE	S - Symmetrical	150W 175W 250W 320W	PSMH - Pulse-Start Metal Halide 175, 250, 320 Watt CMH - Ceramic Metal Halide 150 Watt	DP - Deep Profile	120V 208V 240V 277V 347V	WHT - White	
		150W 200W	PSMH - Pulse-Start Metal Halide 200 Watt CMH - Ceramic Metal Halide 150 Watt	LP - Low Profile			

SC-SM S 175 MHR DP MT WHT NO
(EXAMPLE ORDER)

**ORDER:
WLS**

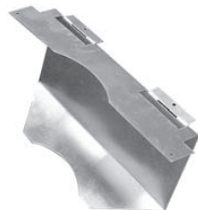
FOOTNOTES:

- 1 - For international voltages, consult factory.
- 2 - MT - Multi Tap is shipped standard unless otherwise specified. (Multi Tap consists of 12V, 208V, 240V and 277V. Multi Tap is pre-wired for 277V. Alternate voltages will require field re-wiring.)
- 3 - Tri-Tap is shipped standard for Canadian applications. (Tri-Tap consists of 120V, 277V and 347V. Tri-Tap is pre-wired for 347V. Alternate voltages will require field re-wiring.)

* In accordance with the 2007 Energy Independence and Security Act (EISA), fixtures will no longer be available in Probe Start Metal Halide with wattages from 150 watts through 500 watts for new installations. Replacement parts for existing fixtures are still available.



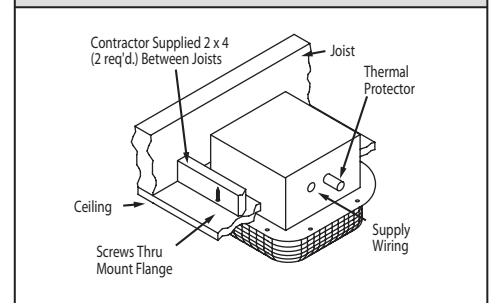
Soft Light Diffuser



Internal Cutoff Shield

(For use with Deep Profile Lens)

MOUNTING



SHIPPING WEIGHTS - Surface Mount Sacramento

Catalog Number	Est. Weight (kg/lbs.)	Length (mm/in.)	Width (mm/in.)	Height (mm/in.)
SC-SM - DP	17/37	445/17.5	445/17.5	384/15.125
SC-SM - LP	16/35	445/17.5	445/17.5	384/15.125

SHIPPING WEIGHTS - Recessed Sacramento

Catalog Number	Est. Weight (kg/lbs.)	Length (mm/in.)	Width (mm/in.)	Height (mm/in.)
SC-RE - DP	20/43	508/20	508/20	489/19.25
SC-RE - LP	19/41	508/20	508/20	489/19.25

Approved By: _____ Project Name: _____

Location: _____ Date: _____

WLS LIGHTING SYSTEMS