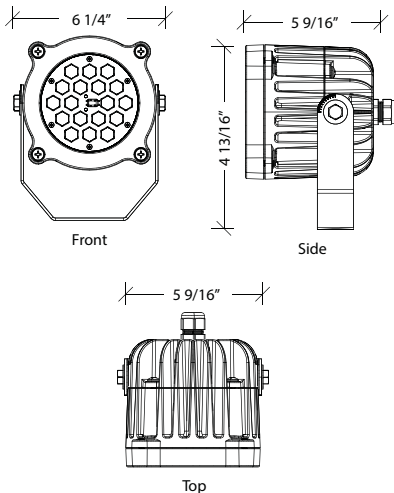




DIMENSIONS



SPECIFICATIONS

GENERAL DESCRIPTION - Die cast aluminum body designed for maximum heat dissipation. All extruded aluminum components shall be alloy 6061-T6, 6063-T5 or equal. Luminaire is designed to mount to both horizontal and vertical surfaces through a number of mounting accessories. The electrical assembly shall be comprised of an electronic LED driver designed to operate the integral 6 or 12-LED light emitting diode light engine (LED source). The luminaires shall be UL listed and suitable for wet locations. All aluminum components shall be subjected to a 5-stage chrome-free pre-treatment process by immersion.

CONSTRUCTION - Die cast aluminum body designed for maximum heat dissipation. All extruded aluminum components shall be alloy 6061-T6, 6063-T5 or equal. The heavy aluminum flood housing shall be designed to accommodate all electrical and optical components. Access to the optical components shall be made by removing (4) stainless steel fasteners located on the front of the luminaire. Access to the electrical assembly shall be made by removing (4) stainless steel fasteners located on the back of the luminaire housing. The lens frame shall accommodate a clear or prismatic tempered glass lens which shall be mechanically sealed with a die cut sponge silicone gasket for weather tight operation in any fixed position.

ELECTRICAL - The electrical assembly shall be comprised of an electronic LED driver designed to operate the integral 6 or 12-LED light emitting diode light engine (LED source). The driver shall be integrally mounted with nonferrous brackets and fasteners. The driver shall have a high temperature, flame-resistant (UL 94V-0 minimum), 90°C maximum surface temp rating, and thermally protected transient over-voltage circuit. The input voltage range shall be 100-277 VAC, 47 to 63 Hz with a 90% power factor at full load. Load regulation shall be +/- 3%. The driver shall have output over voltage and over current protection and output short circuit protection with Auto Recovery. Operating temperature shall be -30°C to 60°C. The driver shall be designed to operate for 100K hours (MTBF) and the LED source shall be rated for 50,000 hours (70% lumen maintenance). The LED source shall be mounted to a thermally conductive medium (heat-sink) and located within the sealed optical chamber

TESTING AND COMPLIANCE - UL 1598 Standard for Luminaires- UL 8750 Standard for safety for light products and CSA. C22.2#250.0 Luminaires. RoHS compliant. Meets Buy American requirements within ARRA.

INSTALLATION - Luminaire is designed to mount to both horizontal and vertical surfaces through a number of mounting accessories. Full 360° aiming may be made in the field; position shall be set by tightening two hex-head bolts on either side of the luminaire housing.

FINISH - All aluminum components shall be subjected to a 5-stage chrome-free pre-treatment process by immersion. Beacote V AAMA 2604 grade powder coat paint shall be electro-statically applied following outgassing. All fasteners are stainless steel

Approved By: _____ Project Name: _____

Location: _____ Date: _____

LF1 LED FLOOD SERIES

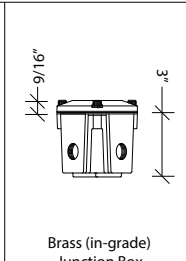
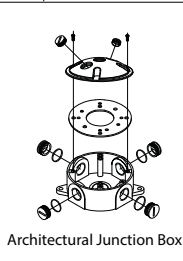
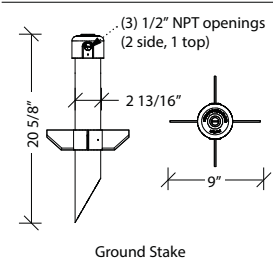
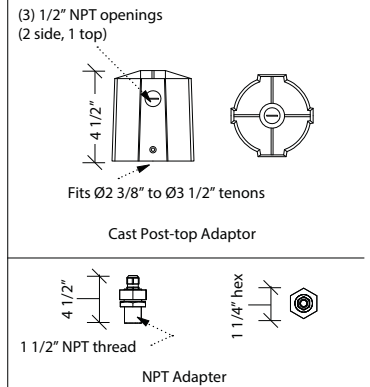
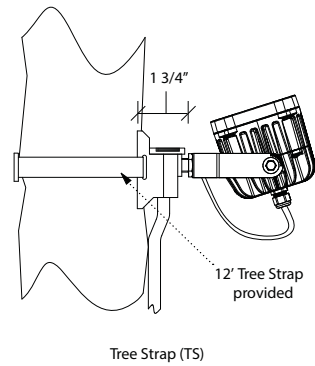
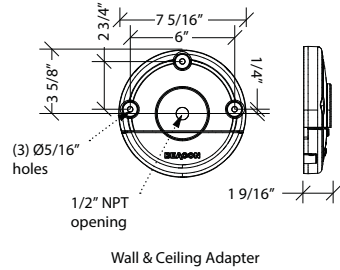
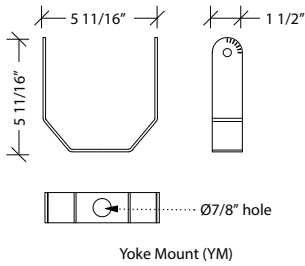
ORDERING INFORMATION SELECT APPROPRIATE CHOICE FROM EACH COLUMN TO FORMULATE ORDER CODE. Refer to example below.

SERIES	OPTICS	ENGINE	MOUNTING	COLOR TEMP	LINE VOLTAGE	LUMINAIRE FINISH	OPTIONS
LF1	NS - Narrow Spot NF - Narrow Flood MF - Medium Flood WF - Wide Flood HF - Horizontal Flood VF - Vertical Flood	25 - 25 Watts	YK - Yoke Mount AJ - Architectural Junction Box BX - Brass Junction Box WA - Wall/Ceiling Adaptor GS - Ground Stake PA - Cast Post-Top TS - Tree Strap 12 - 1/2" NPT 34 - 3/4" NPT	30K - 3000K 40K - 4000K 50K - 5000K	UL - Universal 120 - 277V	BRZ - Bronze BLK - Black WHT - White GRY - Gray GRN - Green SLV - Silver OWI - Old Iron DP - Dark Platinum CC - Custom Color	VS - Visor NO - No Options

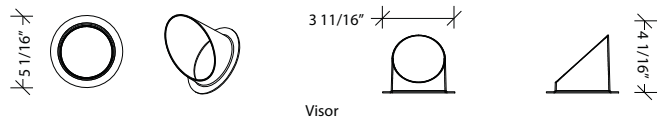
LF1 NF 25 GS 30K UL BRZ NO
(EXAMPLE ORDER)

ORDER:
WLS-LF1

Mounting Options



Accessories



Approved By: _____ Project Name: _____

Location: _____ Date: _____

WLS LIGHTING SYSTEMS

1919 Windsor Place ■ Fort Worth, TX 76110 ■ 800.633.8711 ■ Fax: 817.735.4824 ■ www.wslighting.com

Consider the Impact!