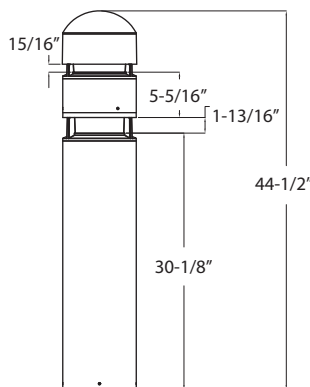
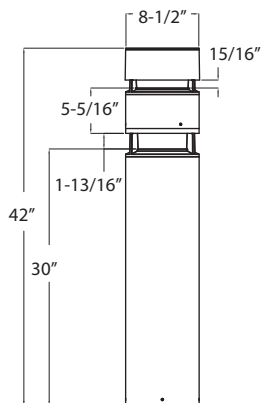




## DIMENSIONS



Suitable for wet locations

## SPECIFICATIONS

**LOWER HOUSING** - One-piece, heavy-walled, extruded aluminum, .322" thick for vandal resistance. Various heights are available in 6" increments starting at 30" (maximum height is 60"). Lower housing attaches to cast aluminum base plate with four stainless steel roll pins.

**CROWN ASSEMBLY** - Flat or domed, heavy cast aluminum. For added security against vandals, crown attaches to lower housing with four captive, concealed 1/4" x 20 Allen-head screws.

**BASE PLATE** - Extra thick, 1/2" cast T6 treated aluminum base is conversion coated and black powder coated for corrosion resistance.

**OPTIONAL ROUGHNECK REINFORCEMENT** - .375" thick zinc plated, steel base plate with welded U shaped reinforcement. 3/8" diameter 302 stainless steel roll pins with 10,000 lb. shear load

**ANCHOR BOLTS** - Anchor bolts are 3/8" x 10" long heavy duty galvanized steel. Four (4) are furnished.

**LEDS** - 16 or 30 select high-brightness LEDs in Cool White (5400° K) or Neutral White (3800°K) color temperature, 70 CRI (nominal).

**REFLECTOR / DISTRIBUTION** - 360° or 180° distribution.

**LENS** - 2 one piece heavy walled borosilicate lenses are recessed .764" and protected by three cast ribs for vandal resistance. Exposed portion of top lens is only .934" tall with the lower lens being only 1.831" tall.

**DRIVER** - State-of-the-art driver technology designed specifically for WLS LED light sources provides unsurpassed system efficiency, control, and protection. Components are fully encased in potting material for IP68 moisture resistance. Driver complies with IEC and FCC standards.

**ELECTRICAL** - Universal voltage power supply (120-277 VAC 50/60HZ). 347-480v also available. 350mA standard. Surge protector meets IEEE C62.12.2-2002, Scenario 1 Location Category C.

**DUAL BEAM OPTICS** - Utilizes two separate LED arrays to provide more uniform illumination - proprietary to WLS. Results in unprecedented fixture spacing, while providing great uniformity.

**EXPECTED LIFE** - Minimum 60,000 to 100,000 hours depending upon the ambient temperature of the installation location.

**WARRANTY** - WLS LED fixtures carry a limited 5-year warranty.

**FINISH** - Fixtures are finished with WLS DuraGrip® polyester powder coat finishing process. The DuraGrip® finish withstands extreme weather changes without cracking or peeling, and is guaranteed for five full years. Standard colors include bronze, black, platinum plus, white, satin verde green, graphite, and metallic silver. Custom colors available upon request.

Approved By: \_\_\_\_\_ Project Name: \_\_\_\_\_

Location: \_\_\_\_\_ Date: \_\_\_\_\_

1919 Windsor Place ■ Fort Worth, TX 76110 ■ 800.633.8711 ■ Fax: 817.735.4824 ■ [www.wslighting.com](http://www.wslighting.com)

**WLS LIGHTING SYSTEMS**

Consider the Impact!

# LED BOLLARD PEL SERIES

## ORDERING INFORMATION SELECT APPROPRIATE CHOICE FROM EACH COLUMN TO FORMULATE ORDER CODE. Refer to example below.

SERIES	DISTRIBUTION	# OF LEDS	LIGHT SOURCE	DRIVE CURRENT	COLOR TEMPERATURE	LINE VOLTAGE	LUMINAIRE FINISH	TOP	OPTIONS
PEL	360°	30	LED	350 - 350mA	CW - Cool White NW - Neutral White	UE - Universal Voltage (120-277) 347 - 480	BRZ - Bronze BLK - Black PLT - Platinum Plus WHT - White SVG - Satin Verde Green GPT - Graphite MSV - Metallic Silver CC - Custom Color	FT - Flat Top DT - Dome Top	H - XX (Specify Height) <sup>1</sup> GFR - GFI Duplex Receptacle LAB - Less Anchor Bolts PC - Button Type Photocell RN - RoughNeck Heavy Duty Mtg. Plate <sup>5</sup> BB - Battery Backup <sup>2,3,4</sup> CWBB - Cold Weather Battery Backup <sup>2,3,4</sup> NA - No Accessories
	180°	16							

**PEL**      **360°**      **30**      **LED**      **350**      **CW**      **UE**      **BRZ**      **FT**      **NA**  
 (EXAMPLE ORDER)

**ORDER:**  
**WLS-PEL** \_\_\_\_\_

### FOOTNOTES:

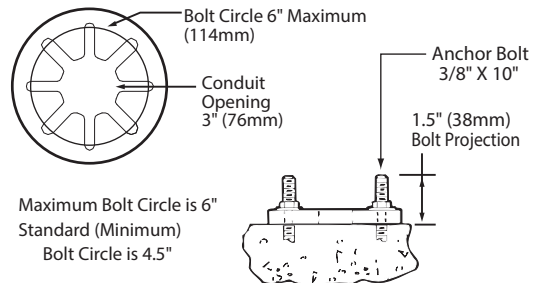
- Standard height is 42" for FT and 45" for DT. Non-standard heights are available in 6" increments. Minimum height is 30". Maximum height is 60".
- Not available with 180° Distribution.
- Battery Backup and Cold Weather Battery Backup minimum height is 36".
- Battery Backup and Cold Weather Battery Backup is only available in 120-277v.
- Rough Neck option must be entered at time of original order. Can't be switched in the field.

### LIGHT OUTPUT - PEL

Description	# of LEDS	Full Output		Dimmed		
		Lumens	Watts	Lumens	Watts	
Cool White	PEL-360	30	1690	34	692	12
	PEL-180	16	950	20	401	7
	PEL-360-30-BB	10	748	20	—	—
Neutral White	PEL-360	30	1599	34	—	—
	PEL-180	16	856	20	—	—
	PEL-360-30-BB	10	—	—	—	—
350mA - Standard						

### BASE DETAIL

Note Base plate dimensions may change without notice. Do not use for setting anchor bolts. Consult factory for base plate templates.



Approved By: \_\_\_\_\_ Project Name: \_\_\_\_\_

Location: \_\_\_\_\_ Date: \_\_\_\_\_

1919 Windsor Place ■ Fort Worth, TX 76110 ■ 800.633.8711 ■ Fax: 817.735.4824 ■ www.wslighting.com

**WLS LIGHTING SYSTEMS**

Consider the Impact!