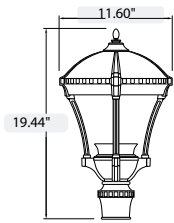
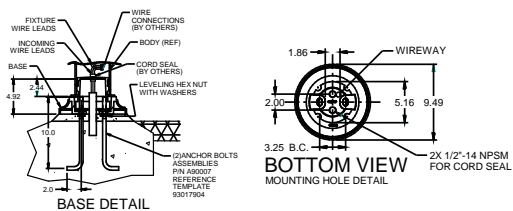
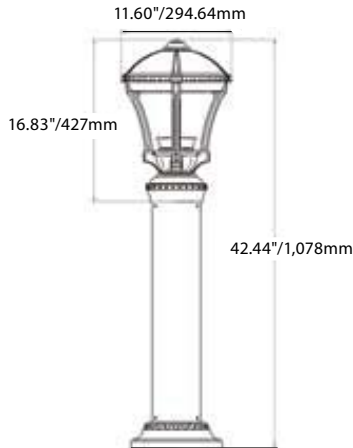




DIMENSIONS



WT: 9 lbs EPA: 0.46



SPECIFICATIONS

HOUSING

- Luminaire shall have discrete optical and gear compartments that do not share any physical housings.
- All housing components shall be die-cast aluminum, sealed with continuous silicone rubber gaskets.
- Standard configurations shall have a clear flat tempered glass lens.
- All internal and external hardware shall be stainless steel.
- Optical bezel finish shall match the luminaire housing.

OPTICAL

- LEDs shall be mounted to a metal printed circuit board assembly (MCPCB) with a uniform conformal coating over the panel surface and electrical features.
- LED optics shall be clear injection molded PMMA acrylic.
- MCPCB and optic shall be sealed to a die-cast anodized aluminum heat sink with an injection molded silicone rubber gasket. IP66.

ELECTRICAL

- Luminaires shall have integral surge protection that shall be U.L. recognized and have a surge current rating of 10,000 Amps using the industry standard 8/20uSec wave and surge rating of 372J.
- Drivers shall be U.L. recognized with an inrush current maximum of <20.0 Amps maximum at 230VAC.
- Drivers shall not be compatible with current sourcing dimmers, consult factory for current list of known compatible dimming systems, approved dimmers include Lutron Diva AVTV, Lutron Nova NFTV and NTFTV.

SERVICING

- Luminaire shall have tool-less service access to the gear compartment. Driver and surge suppressor shall be mounted to a prewired tray with quick disconnects that may be removed from the gear compartment.

MOUNTING

- Fixture shall slip over two 1/2" x 10" x 2" anchor bolts supported by hex nuts and washers to level fixture. Provision for water drainage at footing is recommended.
- One-piece cast aluminum arms accept the standard 3" slip fitter on the Providence fixture.
- Arms are prewired with quick disconnects.
- Wall mounted arms do not include wall mounting hardware.
- Pole mounted arms use 3/8-16 hardware bolts for attaching to the pole.

FINISH

- Luminaire finish shall consist of a five stage pretreatment regimen with a polymer primer sealer, oven dry off, and top coated with a thermoset super TGIC polyester powder coat finish.
- Luminaire finish shall meet the AAMA 605.2 performance specification which includes passing a 3000 hour salt spray test for corrosion resistance.

CERTIFICATION

- Luminaire shall be listed with ETL for outdoor, wet location use, UL1598, UL 8750 and Canadian CSA Std. C22.2 no.250

PROL Series is covered by a 5 year limited warranty..

Approved By: _____ Project Name: _____

Location: _____ Date: _____



PROL LED BOLLARD SERIES

ORDERING INFORMATION SELECT APPROPRIATE CHOICE FROM EACH COLUMN TO FORMULATE ORDER CODE. Refer to example below.

SERIES	DISTRIBUTION	LUMEN PACKAGE	COLOR	OPTIONS	MOUNTING
PROL	Y2 - Type II Y3 - Type III Y4 - Type IV Y5 - Type V	3050 - 5000K CCT, 43 watts 3040 - 4000K CCT, 43 watts 3030 - 3000K CCT, 43 watts 2050 - 5000K CCT, 25 watts 2040 - 4000K CCT, 25 watts 2030 - 3000K CCT, 25 watts	WHT - Arctic White BL - Black BLT - Matte Black DB - Dark Bronze DGN - Dark Green TT - Titanium WDB - Weathered Bronze MDB - Bronze Metallic VB - Verde Blue CRT - Corten MAL - Matte Aluminum MG - Medium Grey AGN - Antique Green LG - Light Grey CC - Custom Color	FS1 - Fusing DSC - Dark Sky Cap PFC - Brass Painted Finial BPS - Brass Painted Struts LDL - Lightly diffused Lens NO - No Options	FL - Fluted Shaft 5" DIA. RD - Round Shaft 5" DIA. PM - Pier Mount

PROL **Y5**
(EXAMPLE ORDER)

3050

BL

NO

RD

ORDER:
WLS-PROL

Approved By: _____ Project Name: _____

Location: _____ Date: _____

1919 Windsor Place ■ Fort Worth, TX 76110 ■ 800.633.8711 ■ Fax: 817.735.4824 ■ www.wslighting.com

WLS LIGHTING SYSTEMS

Consider the Impact!