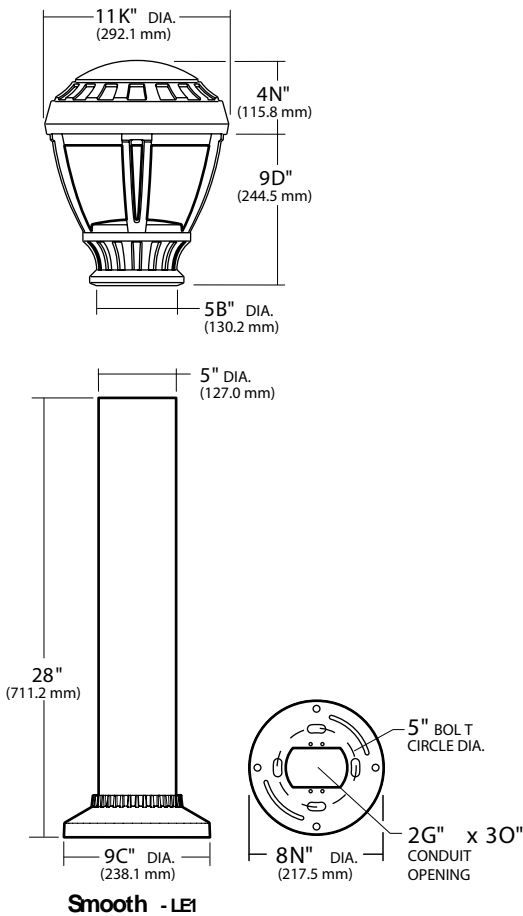




DIMENSIONS



SPECIFICATIONS

HOOD AND LENS FRAME - Die-cast low copper (<0.6% Cu) aluminum alloy with stainless steel hinge. Hood is opened by loosening one stainless steel captive button-head socket cap screw. The 1/8" thick clear flat tempered glass lens seals against the lens frame by a one-piece extruded and vulcanized silicone gasket.

ARM- Double curved die-cast low copper aluminum alloy with internal wiring chamber supports the hood and lens frame.

HUB - Die-cast low copper aluminum alloy with a die-cast access cover. The hub is designed to support the arms.

ANCHOR BASE PLATE - A heavy cast aluminum anchor base plate is provided for mounting to the four 3/8" x 10" + 2" zinc plated J-bolts, each with two nuts and washers. A rigid pressed board template is provided to secure the anchor bolts during concrete pour. (5" B.C.D.) rods sandwich shaft between base and head.

ELECTRICAL MODULE - Factory mounted to a rigid assembly attached to the anchor base. A total of 9 LED emitters configured in a rectangular array comprised together as a module. Two (2) modules for 18 LED version; three (3) modules for 27 LED version; and four (4) modules for 36 LED version. Available in 580nm Amber, 3000K, 4200K and 5100K color temperatures.

LED DRIVER - Rated for 19 LED, 27 LED or 36 LED. Universal voltage from 120 to 277V with a ±10% tolerance. -40°F starting temperature. All drivers are Underwriters Laboratory recognized.

Note: The 120V driver can be dimmed with an electronic low voltage forward phase dimmer.

RISER - SMOOTH - The riser assembly is a one-piece smooth aluminum extrusion (.125" minimum thickness) and a heavy cast aluminum base cover. Two internal 3/8" mounting rods sandwich riser between base and hub.

FINISH - Each luminaire receives a fade and abrasion resistant, electrostatically applied, thermal cured triglycidal isocyanurate (TGIC) powdercoat finish. Standard colors include (BL) Black, (DB) Dark Bronze, (WH) White, (PS) Platinum Silver, (SG) Stealth Gray, (LG) Light Gray and (CC) Custom Color.

LISTED TO - UL 1598 Standard for Luminaires - UL 8750 Standard for Safety for Light Emitting Diode (LED) Equipment for use in Lighting Products and CSA C22.2 #250.0 Luminaires. RoHS compliant. Meets Buy American provisions within ARRA.

WARRANTY - WLS Lighting warrants the RAE Series to be free from defects in material and workmanship for (i) a period of five (5) years for metal parts, (ii) a period of five (5) years for exterior housing paint finish(s), (iii) a period of five (5) years for LED power components (driver, surge protector and LifeShield® device), from the date of sale of such goods to the buyer as specified in WLS Lighting shipping documents for each product.

Caution: Fixtures must be grounded in accordance with national, state and/or local electrical codes. Failure to do so may result in serious personal injury.

Approved By: _____ Project Name: _____

Location: _____ Date: _____

1919 Windsor Place ■ Fort Worth, TX 76110 ■ 800.633.8711 ■ Fax: 817.735.4824 ■ www.wslighting.com

WLS LIGHTING SYSTEMS

Consider the Impact!

RAE SERIES

LED BOLLARD

ORDERING INFORMATION SELECT APPROPRIATE CHOICE FROM EACH COLUMN TO FORMULATE ORDER CODE. Refer to example below.

SERIES	LIGHT SOURCE	COLOR TEMPERATURE	LINE VOLTAGE	LUMINAIRE FINISH	DIMMING	OPTIONS
RAE-LE1	18L - Type I 27L - Type III 36L - Type V	2K - 580nm - Amber 3K - 3000K 4K - 4200K 5K - 5100K	UV - Universal Voltage (120-277)	BL - Black DB - Dark Bronze LG - Light Gray SG - Stealth Gray PS - Platinum Silver WH - White CC - Custom Color	0-10 - Driver has a 0-10V dimming interface with a dimming range of 10-100%. Is compatible with most control systems. Approved dimmers include Lutron Diva AVTV, Lutron Nova NFTV and NTFTV. Note: not compatible with current sourcing dimmers. Controls compatible via Gray and Purple dimming leads.	SF - Single Fusing ¹ DF - Double Fusing ¹ EM - Battery Back-up ² DR - Weather proof duplex receptacle rated 20A, 125V. DR-GFI - Weather proof duplex receptacle with ground fault circuit interrupter rated 20A, 125V. NO - No Options

RAE-LE1 18L
(EXAMPLE ORDER)

5K

UV

DB

NO

ORDER:

WLS-RAE-LE1

FOOTNOTES:

- 1- High temperature fuse holder factory installed inside the fixture housing. Fuse is included.
- 2- Internal battery pack provides 90 minutes of supplemental light at 25% of initial lamp lumens.

Electrical Drive Current - @ 350mA

Volts - AC	Type 1		Type 3		Type 5	
	Amps - AC	System Watts	Amps - AC	System Watts	Amps - AC	System Watts
120	0.18	21	0.26	31	0.34	41
208	0.10	21	0.15	31	0.20	41
240	0.09	21	0.13	31	0.17	41
277	0.08	21	0.11	31	0.15	41

B.U.G. Rating (TM15) in Lumens where B = Backlight, U = Uplight, G = Glare

Temperature	TYPE 1	TYPE 3	TYPE 5
3000K	B1 U0 G1	B1 U0 G1	B1 U0 G1
4200K	B1 U0 G1	B1 U0 G1	B1 U0 G1
5100K	B1 U0 G1	B1 U0 G1	B2 U0 G1

Absolute Lumens

Temperature	TYPE 1	TYPE 3	TYPE 5
3000K	1321	2188	2747
4200K	1365	2174	2838
5100K	1509	2404	3137

LED performance and lumen output continues to improve at a rapid pace. For custom optics and color temperature configurations, contact factory.

Approved By: _____ Project Name: _____

Location: _____ Date: _____

WLS LIGHTING SYSTEMS

1919 Windsor Place | Fort Worth, TX 76110 | 800.633.8711 | Fax: 817.735.4824 | www.wslighting.com

Consider the Impact!