

WLS LIGHTING SYSTEMS

RV SERIES

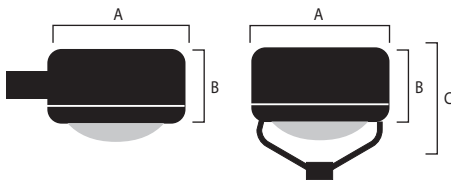
VERTICAL LAMP



DIMENSIONS

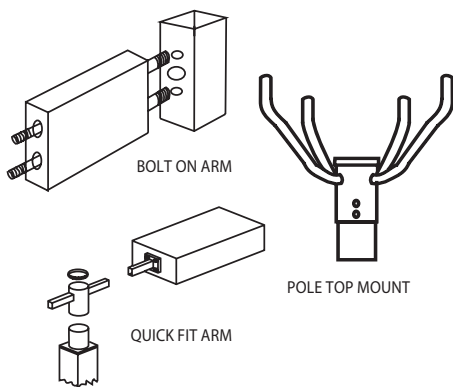
ARM MOUNT

POLE TOP MOUNT



	A	B	C	EPA
RV-M	22"	13"	23"	1.6
RV-L	26"	13 1/2"	23 1/2"	2.0

MOUNTING BRACKETS



listed for wet locations

SPECIFICATIONS

HOUSING - The RV Series housing is designed to ensure weather-tight construction and is fabricated from .080" thick seamless spun aluminum with an optional multiple reveal. The bottom access door provides ease of installation and servicing.

LENS AND FRAME - The standard lens is contoured impact resistant tempered glass, sealed with a poron gasket to a one-piece spun aluminum lens frame. The lens door frame is attached with 2 stainless steel hinges, is equipped with a spring loaded fastener for easy access, and closes securely on a poron gasket preventing entry of moisture and insects.

FINISHES - Fixtures are finished with a thermoset baked-on polyester powder finishing process to give the fixture an exceptionally attractive appearance. The polyester finish withstands extreme weather change without cracking or peeling. Standard and custom colors available.

REFLECTORS / DISTRIBUTION PATTERNS - Fixtures are equipped with a state of the art polished aluminum segmented reflector available in five distribution patterns with vertical burn lamps: Type II (2), Type III (3), Type V (5), Perimeter Forward Throw (FP) and Automotive Forward Throw (AF).

LIGHT SOURCES - Designed to operate up to 1000 Watt High Pressure Sodium, Metal Halide, and Pulse Start Metal Halide, BT-37 reduced envelope 1000 Watt Metal Halide lamps and 1500 watt standard lamps for larger housings. As well as Full Spectrum lamps.

SOCKETS - Glazed porcelain mogul-base sockets feature a spring-reinforced contacts. Rated to 600V.

BALLASTS - CWA or HPF regulating auto transformers. Available in Metal Halide, Pulse Start Metal Halide, Natural White™, and High Pressure Sodium. Starting temperature is -20° F for Metal halide and -40° F for High Pressure Sodium.

BRACKETS - **Bolt On Arm:** 6" x 2" x 10" extruded aluminum arms are shipped standard. **Quick Fit Arm:** are fabricated to fit any size tenon or pole top. Fixtures are manufactured with a fixed-arm which easily slips into the quick fit adapter making field installation SIMPLE. **Pole Top:** Cast aluminum mounting hubs with four heavy duty aluminum rods welded to the center and door frame.

Approved By: _____ Project Name: _____

Location: _____ Date: _____

1919 Windsor Place | Fort Worth, TX 76110 | 800.633.8711 | Fax: 817.735.4824 | www.wslighting.com

WLS LIGHTING SYSTEMS

Consider the Impact!

RV SERIES

VERTICAL LAMP

ORDERING INFORMATION SELECT APPROPRIATE CHOICE FROM EACH COLUMN TO FORMULATE ORDER CODE. Refer to example below.

SERIES	DISTRIBUTION	LAMP WATTAGE	LIGHT SOURCE*	LENS	LINE VOLTAGE ²	LUMINAIRE FINISH	OPTIONS
RV-M	2 - Type II 3 - Type III FP - Perimeter Forward Throw 5 - Type V AF - Automotive Forward Throw	70W 100W 150W 175W 250W 320W 400W	MH - Metal Halide PSMH - Pulse Start Metal Halide (250,320, 400) HPS - High Pressure Sodium (250,400)	CT - Contoured Glass Lens FG - Flat Glass Lens	480V MT - Multi Tap ³ TT - Tri-Tap ⁴	BRZ - Bronze BLK - Black PLT - Platinum BUF - Buff WHT - White GRN - Green CC - Custom Color	LL - Less Lamp HL - Horizontal Lamp (1000 Watt only) AS - Accent Stripping GS - Glare Shield BKT-WM - Wall Mount Plate QF - Quick Fit Arm Mount QR - Quartz Restrike PC - Photo Cell SF - Single Fusing DF - Double Fusing NO - No Options
		250W 320W 400W	FS - Full Spectrum				
RV-L	2 - Type II 3 - Type III FP - Perimeter Forward Throw 5 - Type V AF - Automotive Forward Throw	400W 750W 1000W	MHR - Metal Halide Reduced(1000W) MH - Metal Halide SMHR - Super Metal Halide Reduced PSMH - Pulse Start Metal Halide HPS - High Pressure Sodium ¹				
		400W 775W	FS - Full Spectrum				

RV-L 5 400 PSMH CT MT BRZ NO

(EXAMPLE ORDER)

ORDER:
WLS-RV

FOOTNOTES:

- 1 - Voltage for 750W High Pressure Sodium must be specified.
- 2 - Consult factory for international voltages. (120V, 277V, 347V)
- 3 - MT - Multi Tap is shipped standard unless otherwise specified. (Multi Tap consists of 120V, 208V, 240V, and 277V. Multi Tap is pre-wired for highest voltage. Alternate voltages will require field re-wiring.
- 4 - TT- Tri-Tap consists of 120V, 277V, and 347V. Tri-Tap is pre-wired for highest voltage. Alternate voltages will require field re-wiring.

* In accordance with the 2007 Energy Independence and Security Act (EISA), fixtures will no longer be available in Probe Start Metal Halide with wattages from 150 watts through 500 watts for new installations. Replacement parts for existing fixtures are still available.

Approved By: _____ Project Name: _____

Location: _____ Date: _____

WLS LIGHTING SYSTEMS

1919 Windsor Place ■ Fort Worth, TX 76110 ■ 800.633.8711 ■ Fax: 817.735.4824 ■ www.wslighting.com

Consider the Impact!