

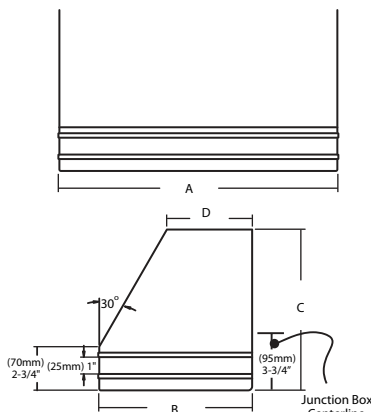
# WLS LIGHTING SYSTEMS

# WME WALL SCONCE SERIES



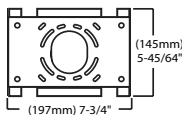
Flat-lensed fixture meet IESNA full cutoff classification.

## DIMENSIONS



	A	B	C	D
Small	(448mm) 17-5/8"	(244mm) 9-5/8"	(257mm) 10-1/8"	(137mm) 5-3/8"
Medium	(508mm) 20"	(341mm) 13-7/16"	(283mm) 11-5/32"	(218mm) 8-5/8"

## UNIVERSAL MOUNTING PLATE



LISTED  
listed for wet locations  
(downlight only)  
damp location  
(uplight-covered location only)

## SPECIFICATIONS

**HOUSING** - Aluminum housing is available in two sizes and is a rectangular shape. All mounting hardware is stainless steel or electro-zinc plated steel.

**WALL MOUNT** - A galvanized-steel universal wall mounting plate easily mounts directly to a 4" octagonal or square junction box. An EPDM gasket is supplied to be installed between the mounting plate and junction box from the entrance of water. The universal plate permits the fixture to be mounted in the uplighting position (listed for damp locations) or downlighting position (listed for wet locations).

**LENS / GASKET** - A flat clear tempered glass lens, which is sealed to the door frame with EPDM gasketing, is standard. An optional polycarbonate lens is available on most Compact Fluorescent fixtures.

**DOOR FRAME** - The aluminum door frame with two stainless steel captive fasteners allows easy access into the fixture. A one piece extruded silicone gasket seals the door frame against the housing. The door swings open and is held in place by a retainer.

**FINISHES** - Fixtures are finished with WLS's DuraGrip® polyester powder coat finishing process. The DuraGrip® finish withstands extreme weather changes without cracking or peeling, and is guaranteed for five full years. Standard colors include bronze, black, platinum plus, graphite, metallic silver and white.

**REFLECTORS / DISTRIBUTION PATTERNS** - Forward Throw (FP,FPM) and Type III (3) reflectors are available on small and medium. All are high performance, full cut-off distribution as defined by the IESNA (downlight position only). Photometric data is tested in accordance with IESNA guidelines.

**LIGHT SOURCES** - This fixture is designed to operate with horizontal Pulse Start Metal Halide, Pulse Start Metal Halide Reduced, Natural White, Super Metal Halide, Super Metal Halide Reduced, Metal Halide, Metal Halide Reduced, High Pressure Sodium, and single, double or triple compact fluorescent lamps. Lamps supplied as standard - HID (clear, ship installed), and Compact Fluorescent (coated, 4100K shipped in separate carton).

**SOCKETS** - HID lampholders are glazed porcelain, medium base for the small fixture and mogul base for the medium fixture, 4KV pulse rated. The Compact Fluorescent fixtures feature a one-piece thermoplastic socket.

**BALLASTS** - Electrical components are factory-mounted in housing and pre-wired with voltage specific leads which extend out the back of the unit through a rubber grommet. This grommet prevents the entry of insects, dust, and moisture into the fixture. The need to open the fixture to make wiring connections is eliminated, making installation quick and easy. UL listed components with high-power factor ballast rated for -20° F starting. Compact Fluorescent ballasts are Electronic Universal Voltage (120-277V 50 / 60Hz) or 347V (60Hz), 0° F starting. Consult factory for available wattages and voltages for use in Canada.

**EMERGENCY OPERATION** - A variety of integral emergency options are available to comply with Life Safety Codes which require emergency lighting along the path of egress on the buildings exterior, so building occupants can exit safely. (See Options in Ordering Information)

Approved By: \_\_\_\_\_ Project Name: \_\_\_\_\_

Location: \_\_\_\_\_ Date: \_\_\_\_\_

1919 Windsor Place ■ Fort Worth, TX 76110 ■ 800.633.8711 ■ Fax: 817.735.4824 ■ www.wslighting.com

WLS LIGHTING SYSTEMS

Consider the Impact!

# WME SERIES

WALL SCONCE

**ORDERING INFORMATION** SELECT APPROPRIATE CHOICE FROM EACH COLUMN TO FORMULATE ORDER CODE. Refer to example below.

SERIES	DISTRIBUTION	LAMP WATTAGE	LIGHT SOURCE*	LENS	LINE VOLTAGE	LUMINAIRE FINISH <sup>2</sup>	OPTIONS
WME-S	3 - Type III FP - Forward Throw WW - Wall Wash	50W 70W 100W 150W	HPS - High Pressure Sodium (150) CMH - Ceramic Metal Halide MH - Metal Halide	FG - Flat Glass Lens	120V 208V 240V 277V 347V	BRZ - Bronze BLK - Black GRY - Grey WHT - White RD - Red MSV - Metallic Silver CC - Custom Color	PC - Photocell TP - Tamper Proof <sup>4</sup> PMA - Pole Mount Adaptor for use with square poles (for S or D180° mounting configurations only) PMAR - Pole Mount Adaptor for use with round poles (for S or D180° mounting configurations only) DIM - CFL Control Voltage Dimming Ballast <sup>5</sup> C - Coated MH or PSMH lamp SQT - Standby Quartz (Time Delay) SQN - Standby Quartz (Non Time Delay) <sup>6</sup> EQ - Emergency Quartz (Separate 120V circuit - HID only) <sup>6</sup> EQ2 - Two Emergency Quartz (Two separate 120V circuits - HID only) <sup>7</sup> BB - CFL Battery Back-up <sup>8</sup> EM1 - One Emergency 12V Circuit Provision with 32W Halogen Lamp <sup>9</sup> EM1LL - One Emergency 12V Circuit Provision -less Halogen Lamp <sup>9</sup> EM2 - Two Emergency 12V Circuit Provisions with (2) 32W Halogen Lamps <sup>9</sup> EM2LL - Two Emergency 12V Circuit Provisions - less Halogen Lamp <sup>9</sup> LL - Less Lamp NO - No Options
	FTM - Forward Throw Medium	26W 32W 42W	CFL - Compact Fluorescent Single CFL2 - Compact Fluorescent Double	FG - Flat Glass Lens FPC - Flat Clear Polycarbonate	UE - Universal Electronic (120-277V 50 / 60Hz) 347 <sup>3</sup>		
WME-M	3 - Type III FP - Forward Throw	250W 320W 400W	PSMH - Pulse Start Metal Halide (250, 320) PSMHR - Pulse Start Metal Halide Reduced (400) HPS - High Pressure Sodium (250, 400)	FG - Flat Glass Lens FPC - Flat Clear Polycarbonate <sup>1</sup>	120V 208V 240V 277V 347V 480V		
		320W	NW - Natural White				
		26W 32W 42W 57W 70W	CFL - Compact Fluorescent Single (57, 70) CFL2 - Compact Fluorescent Double (57, 70) CFL3 - Compact Fluorescent Triple (26, 32, 42)				

WME-M 3  
(EXAMPLE ORDER)

400

MH

FG

120V

BRZ

NO / NA

**ORDER:**  
WLS-WME-

**FOOTNOTES:**

- 1 - If a polycarbonate lens is required on an Uplight Medium fixture in 70W CFL2 or 42W CFL3, the glass lens with polycarbonate shield must be ordered.
- 2 - For International voltages, consult factory.
- 3 - 347V CFL is not available with dimming ballast (DIM) option. Consult factory for battery back-up (BB) option.
- 4 - Tamper-proof Screwdriver must be ordered separately. (See Accessories in Ordering Information)
- 5 - CFL Dimming Control by others.
- 6 - HID lamp wattages 50 and 70 are supplied with a 50 watt, 120V quartz lamp. HID lamp wattages 100 through 250 are supplied with a 100 watt, 120V quartz lamp. HID lamp wattage 400 is supplied with a 250 watt, 120V quartz lamp.
- 7 - Available on 100 watt minimum HID fixtures. HID lamp wattages 100 through 175 are supplied with two 50 watt, 120V quartz lamps. 250 and 400 watt HID fixtures are supplied with two 100 watt, 120V quartz lamps.
- 8 - Battery Back-up available on single, double and triple 120 or 277 voltage specific units for U.S. applications. Please change Line Voltage of UE to 120 or 277 when ordering this option. On double and triple units, one lamp will be energized by Battery Back-up (BB) option. Consult factory for specific Means of Egress job application compliance.
- 9 - Utilizes GY6.35 socket(s). 12 volt separate circuit(s) required.

**COLOR DECALS**

- 45 - Light Gold Metallic
- 20 - Charcoal Metallic
- 94 - Blue Metallic
- 59 - Dark Green
- 21 - Tomato Red
- 55 - Black
- 50 - White
- 51 - Dark Red
- 700 - Aztec Silver Metallic

\* In accordance with the 2007 Energy Independence and Security Act (EISA), fixtures will no longer be available in Probe Start Metal Halide with wattages from 150 watts through 500 watts for new installations. Replacement parts for existing fixtures are still available.

Approved By: \_\_\_\_\_ Project Name: \_\_\_\_\_

Location: \_\_\_\_\_ Date: \_\_\_\_\_

**WLS LIGHTING SYSTEMS**