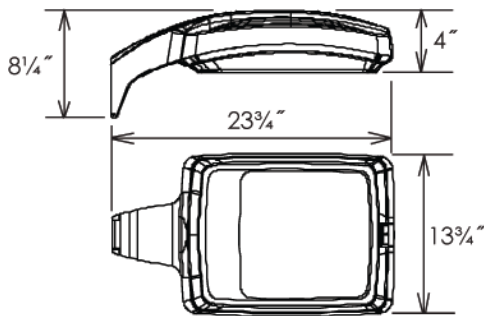


# WLS LIGHTING SYSTEMS

# SKH LED AREA LIGHTING SERIES



## DIMENSIONS



**CSA** Certified  
listed for wet locations

## SPECIFICATIONS

**HOUSING** - Die-cast aluminum housing and front frame, smooth bronze powdercoat finish over a chromate conversion coating. Front frame is hinged with an easy-open latch for tool-less entry. Integral ballast box included. Custom colors available upon request.

**LENS** - Tempered clear flat glass.

**REFLECTOR** - Specular aluminum reflector.

**LIGHT SOURCES** - LED module included with a 24 watt, 18 LED's at 1800 lumens or 48 watt, 18 LED's at 3600 lumens.

**MOUNTING** - Mounts directly to flat poles. Optional round pole or wall mount adapters available.

**WARRANTY** - 1 year manufacturers warranty.



**RPA**



**WA**



**PCB**



**GS**  
(shown installed)

## ORDERING INFORMATION SELECT APPROPRIATE CHOICE FROM EACH COLUMN TO FORMULATE ORDER CODE. Refer to example below.

SERIES	LAMP WATTAGE	LIGHT SOURCE	LINE VOLTAGE	LUMINAIRE FINISH	OPTIONS
SKH	24 48	LED	120V 277V	BRZ - Bronze CC - Custom Color	RPA - Round Pole Adapter, Die-Cast Aluminum WA - Wall Mount Adapter, Die-Cast Aluminum PCB - Photocell Bracket, includes Receptacle, Die-Cast Aluminum GS - Glare Shield, Stamped Aluminum NO - No Options

SKH

24

LED

120

BRZ

NO

(EXAMPLE ORDER)

**ORDER :**  
**WLS-SKH**

Approved By: \_\_\_\_\_ Project Name: \_\_\_\_\_

Location: \_\_\_\_\_ Date: \_\_\_\_\_

P.O. Box 100519 | Fort Worth, TX 76185 | 800.633.8711 | Fax: 817.735.4824 | www.wlsighting.com

**WLS** LIGHTING SYSTEMS

Consider the Impact!