

288 DECORATIVE ACORN SERIES

SPECIFICATIONS

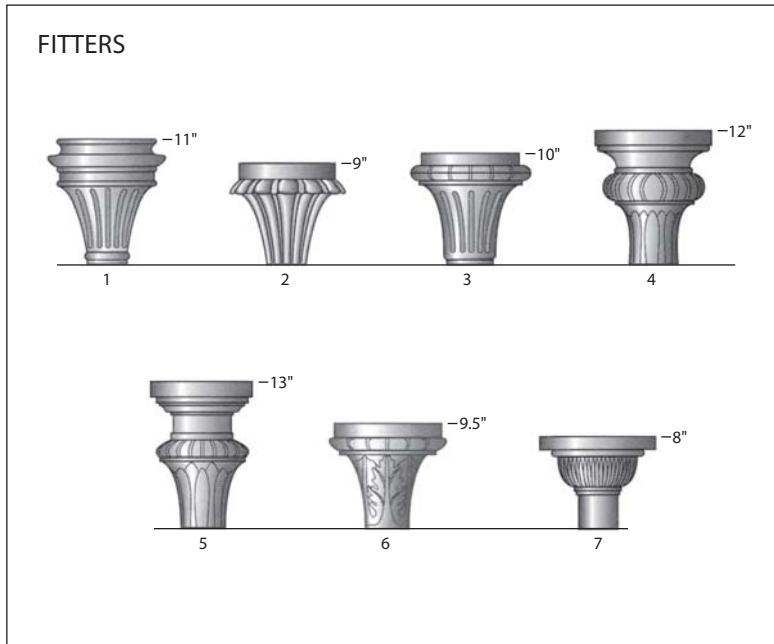
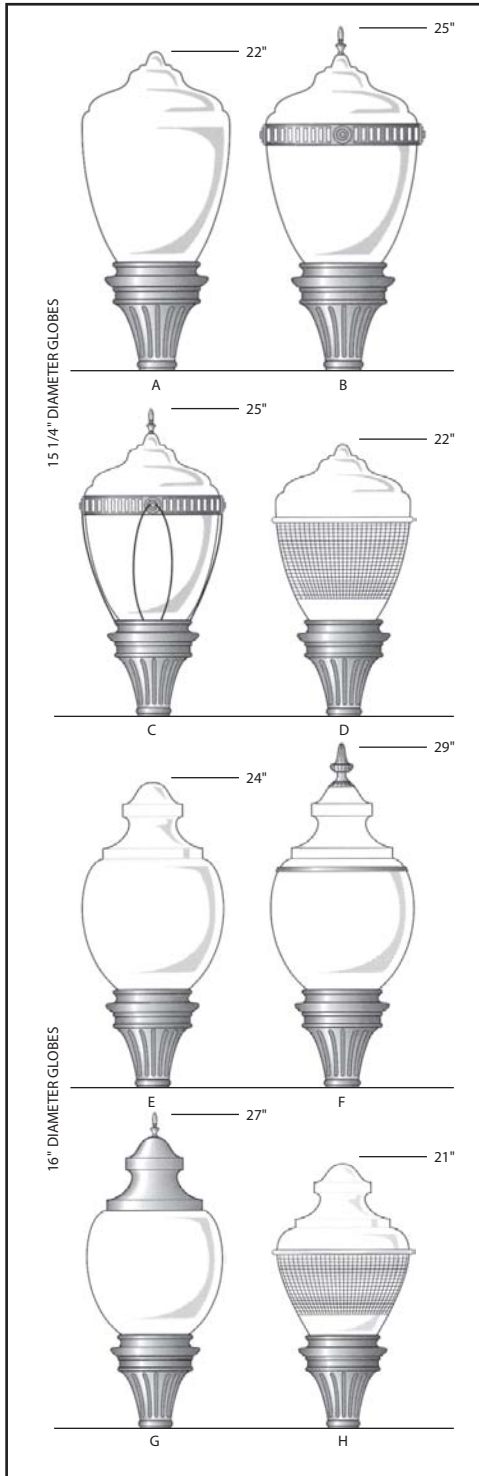
GLOBE - UV stabilized clear textured polycarbonate. White globe available. Consult factory.

GLOBE FITTER - Heavy wall cast aluminum.

BALLAST ASSEMBLY - Ballast is high power factor, mounted on aluminum tray.

LAMP SOCKET - Spring loaded center contact. Pulse rated for HPS lamps.

FINISH - Polyester powder fuse coating is standard. Other finishes available. Consult factory.



Approved By: _____ Project Name: _____

Location: _____ Date: _____

P.O. Box 100519 | Fort Worth, TX 76185 | 800.633.8711 | Fax: 817.735.4824 | www.wslighting.com

WLS LIGHTING SYSTEMS

Consider the Impact!

288 SERIES

DECORATIVE ACORN

ORDERING INFORMATION SELECT APPROPRIATE CHOICE FROM EACH COLUMN TO FORMULATE ORDER CODE. Refer to example below.

SERIES	FITTER STYLE	ARM STYLE	MOUNT STYLE	LAMP WATTAGE	LIGHT SOURCE	LINE VOLTAGE*	OPTICS	LUMINAIRE FINISH	OPTIONS
288A	1	AA	PT - Pole	70W	PSMH - Pulse Start	120V	III	BRZ - Bronze	PC - Photocell
288B	2	AB	Top Mount	100W	Metal Halide	208V	V	BLK - Black	RF - Multi Baffle Reflector
288C	3	AC	SINGLE	150W	MH - Metal Halide ¹	240V		PLT - Platinum	GR - Glass Refractor
288D	4	AD	D90°	175W	HPS - High Pressure Sodium	277V		BUF - Buff	SR - Stacked Louver Refractor
288E	5	AE	D180°	250W	I - Incandescent	480V		WHT - White	IS - Inside Shield
288F	6	AF	T90°			MT - Multi Tap ²		GRN - Green	NO - No Options
288G	7	AG	TN120°					CC - Custom Color	
288H		AH AI AJ AK AL	Q90°						

288D 8 AA D180° 250 PSMH 208 III BRZ NO

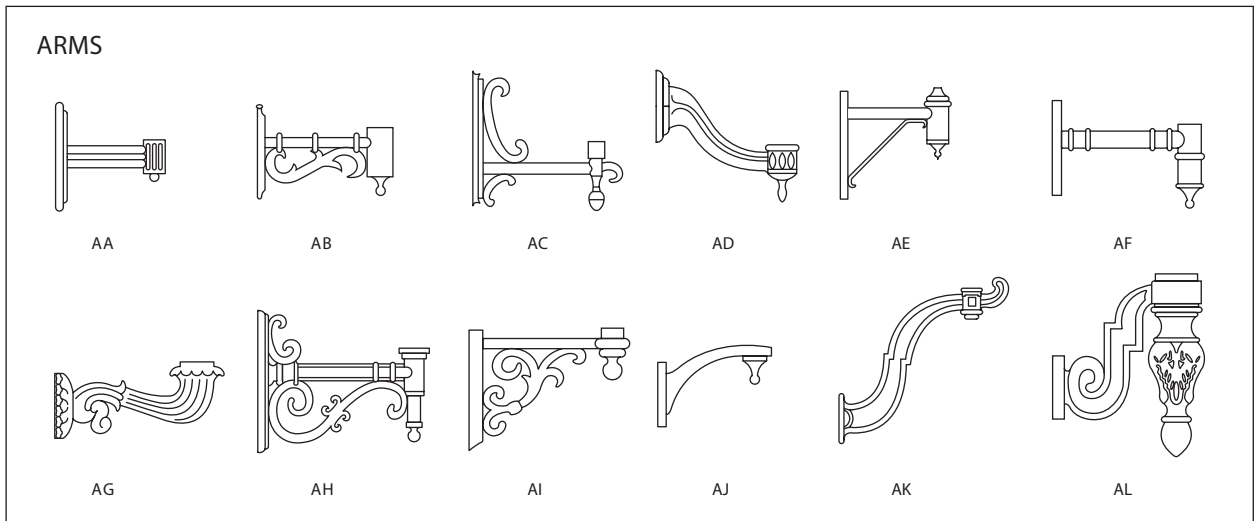
(EXAMPLE ORDER)

**ORDER:
WLS-288**

FOOTNOTES:

- 1 - Consult factory for International voltages.
- 2 - MT - Multi Tap is shipped standard unless otherwise specified. (Multi Tap consists of 120V, 208V, 240V, and 277V. Multi Tap is pre-wired for highest voltage. Alternate voltages will require field re-wiring.

* In accordance with the 2007 Energy Independence and Security Act (EISA), fixtures will no longer be available in Probe Start Metal Halide with wattages from 150 watts through 500 watts for new installations. Replacement parts for existing fixtures are still available.



Approved By: _____ Project Name: _____

Location: _____ Date: _____

WLS LIGHTING SYSTEMS