

DAG SERIES

SPECIFICATIONS

CONSTRUCTION - Durable corrosion resistant cast aluminum base with hand hole and cover. The pole measures 4" diameter X 1/8" wall thickness, extruded 6063-T6 aluminum alloy.

ORDERING INFORMATION

SELECT APPROPRIATE CHOICE FROM EACH COLUMN TO FORMULATE ORDER CODE. Refer to example below.

POLE SERIES	HEIGHT	FINISH
DAG - 4F	8'	BRZ - Bronze BLK - Black PLT - Platinum BUF - Buff WHT - White GRN - Green CC - Custom Color
	10'	
	12'	
	14'	
	16'	
DAG - 4N	18'	
	20'	

DAG-4F

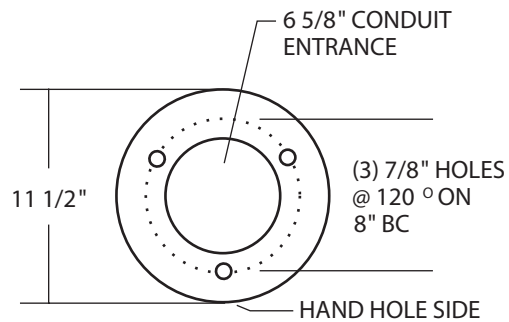
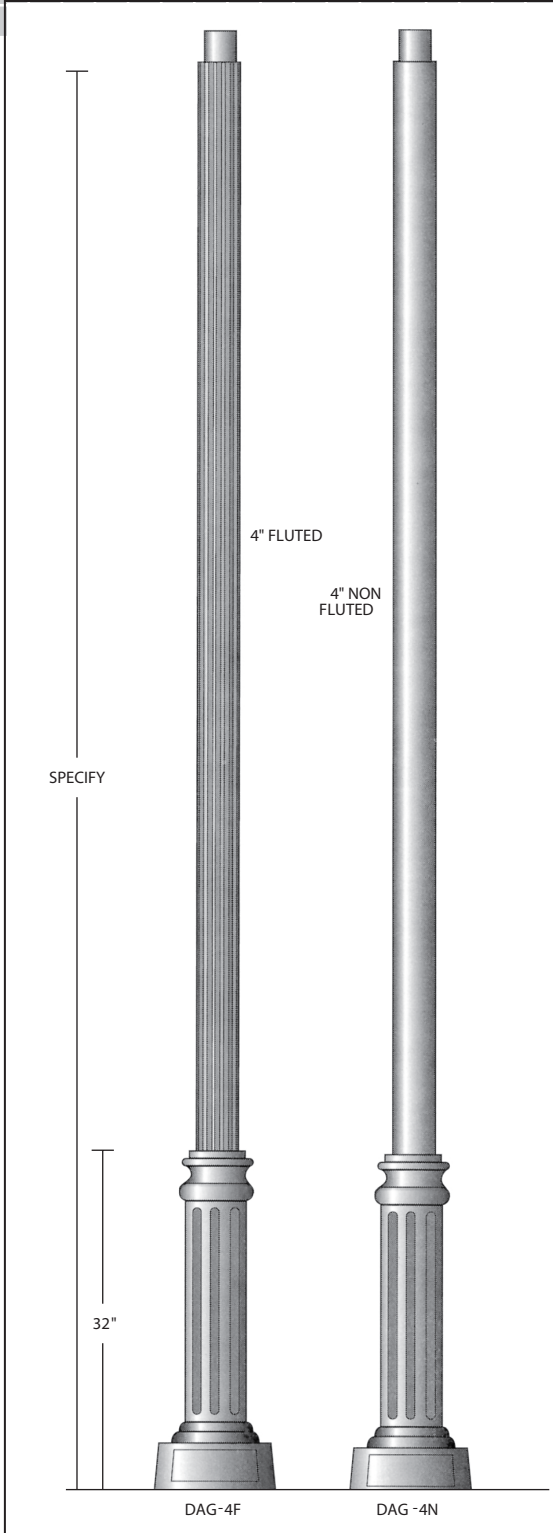
16

BLK

(EXAMPLE ORDER)

ORDER :

WLS-DAG-4F



Bolt circle pattern subject to change. Please consult factory for specific anchor bolt template.

Approved By: _____ Project Name: _____

Location: _____ Date: _____

P.O. Box 100519 | Fort Worth, TX 76185 | www.wslighting.com

WLS LIGHTING SYSTEMS

Consider the Impact!