

DAH SERIES

SPECIFICATIONS

CONSTRUCTION - Durable corrosion resistant cast aluminum base with hand hole and cover. The pole measures 4" or 5" diameter X 1/8" wall thickness, extruded 6063-T6 aluminum alloy.

ORDERING INFORMATION

SELECT APPROPRIATE CHOICE FROM EACH COLUMN TO FORMULATE ORDER CODE. Refer to example below.

POLE SERIES	HEIGHT	FINISH
DAH - 4F	8' 10' 12' 14' 16' 18' 20'	BRZ - Bronze BLK - Black PLT - Platinum BUF - Buff WHT - White GRN - Green CC - Custom Color
DAH-4N		
DAH - 5F		
DAH-5N		

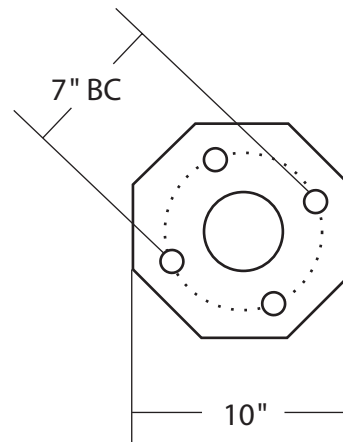
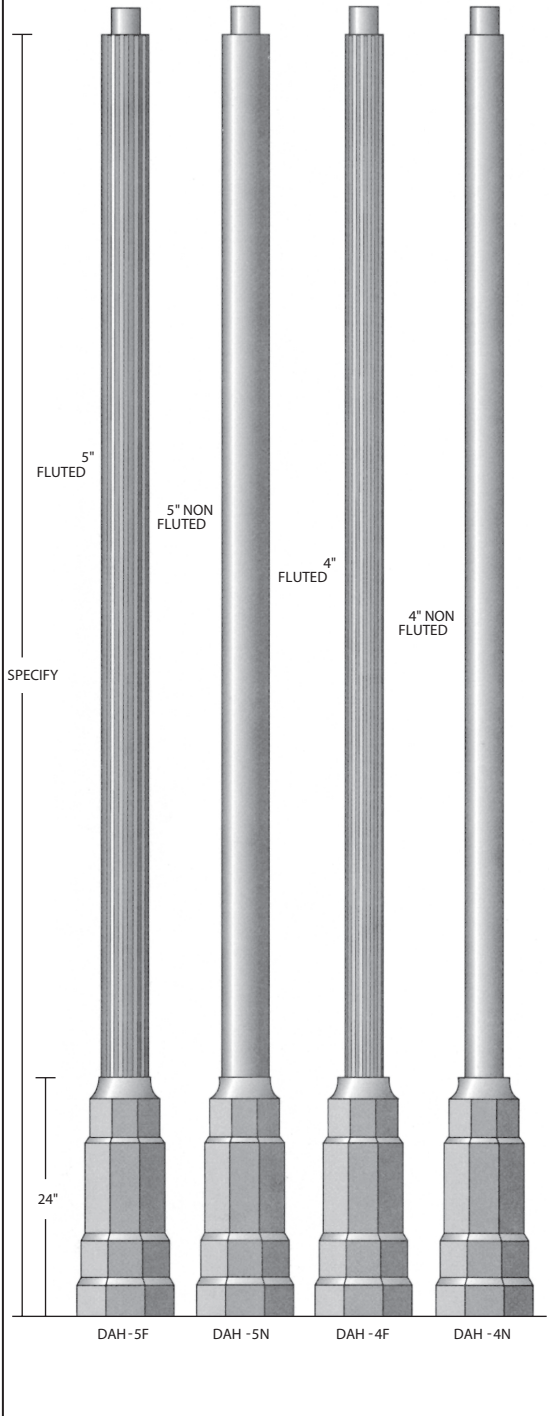
DAH-4F

16

BLK

(EXAMPLE ORDER)

ORDER :
WLS-DAH- _____



Bolt circle pattern subject to change. Please consult factory for specific anchor bolt template.

Approved By: _____ Project Name: _____

Location: _____ Date: _____

P.O. Box 100519 | Fort Worth, TX 76185 | www.wslighting.com

WLS LIGHTING SYSTEMS

Consider the Impact!