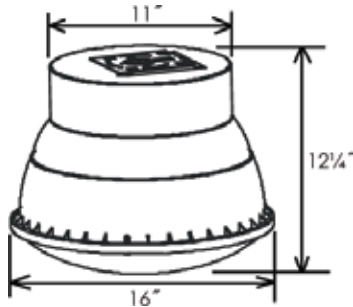


WLS LIGHTING SYSTEMS

DELUXE LED GARAGE LIGHTER GLL SERIES



DIMENSIONS



CSA Certified
Listed for damp locations

SPECIFICATIONS

HOUSING - Heavy duty round die-cast aluminum housing. White powdercoat finish over a chromate conversion coating. Custom colors available upon request.

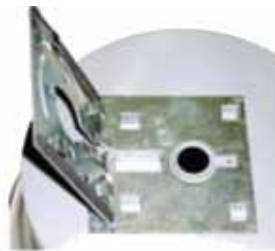
LENS - Clear polycarbonate prismatic optical refractor with gasket and hinged drop lens.

REFLECTOR - Two-piece aluminum reflector - upper section removes to create uplight.

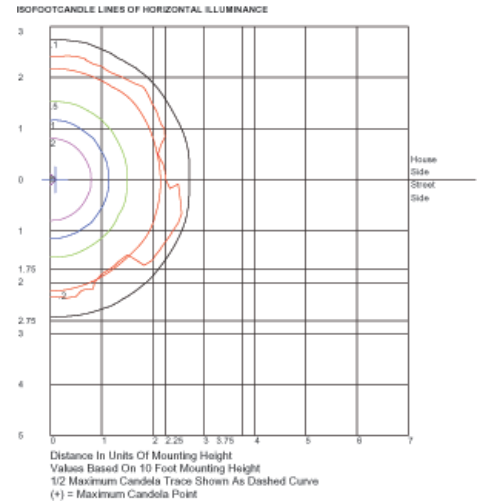
LIGHT SOURCES - LED module included with a 24 watt, 18 LED's at 1800 lumens or 48 watt, 18 LED's at 3600 lumens.

MOUNTING - Easy-Hang bracket fits standard 4" electrical box, allowing 1-person installation.

WARRANTY - 1 year manufacturers warranty.



MOUNTING BRACKET



ORDERING INFORMATION SELECT APPROPRIATE CHOICE FROM EACH COLUMN TO FORMULATE ORDER CODE. Refer to example below.

SERIES	LAMP WATTAGE	LIGHT SOURCE	LINE VOLTAGE	LUMINAIRE FINISH	OPTIONS
GLL	2x15 - 2x15w(30w) 3x15 - 3x15w(45w) 4x15 - 4x15w(60w)	LED	120V 277V	WH - White BRZ - Bronze CC - Cutom Color	NO - No Options

GLL

2x15

LED

120

WH

NO

(EXAMPLE ORDER)

ORDER :

WLS-GLL

Approved By: _____ Project Name: _____

Location: _____ Date: _____

P.O. Box 100519 | Fort Worth, TX 76185 | 800.633.8711 | Fax: 817.735.4824 | www.wslighting.com

WLS LIGHTING SYSTEMS

Consider the Impact!