

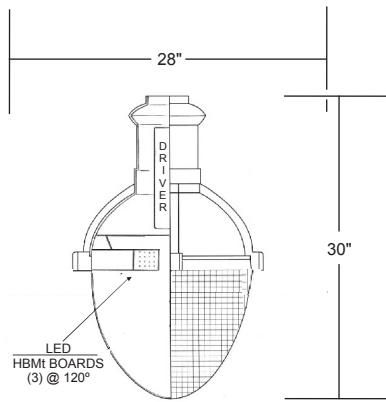
WLS LIGHTING SYSTEMS

900L SERIES

DECORATIVE LED



DIMENSIONS



Made in U.S.A.

SPECIFICATIONS

HOUSING - Heavy wall cast aluminum Luminaire is shipped complete and ready to install.

OPTICS - High impact resistant, clear or prismatic acrylic lens.

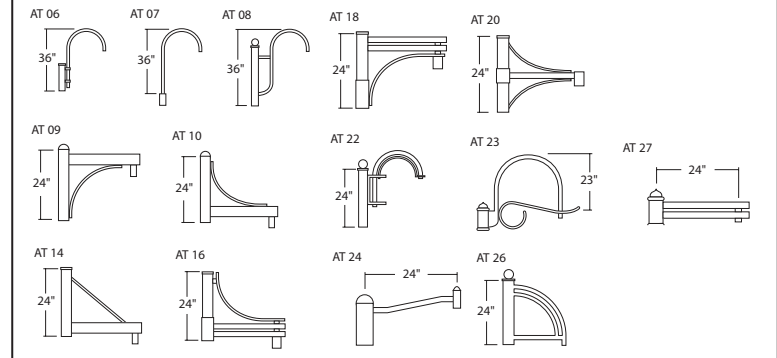
ARM - Multiple arm options below. Custom Arm and mounting options available.

DRIVER - Xitanium Electronic LED Driver. LEDs are 50,000 hour rated.

WARRANTY - Five year limited warranty. Luminaire is designed for wet locations.

FINISH - Polyester powder fuse coating.

ARM OPTIONS



ORDERING INFORMATION Refer to example below.

SERIES	LED WATT	LIGHT SOURCE*	LENS	LIGHT DISTRIBUTION	LINE VOLTAGE	LUMINAIRE FINISH	ARM OPTIONS
900L - No Shade	66W - 7,500 lumens	LED - LED - 3000K 3500K 4100K 5000K	CL - Clear RF - Refractive FL - Flat Lens FR - Frosted	3 - Type III 5 - Type V	UN - 120-277V	BRZ - Bronze BLK - Black PLT - Platinum BUF - Buff WHT - White GRN - Green CC - Custom Color	AT 06 AT 07 AT 08 AT 09 AT 10 AT 14 AT 16 AT 22 AT 23 AT 24 AT 26 AT 27
900LS - Shade	105W - 12,000 lumens 162W - 18,000 lumens						

900L 66W LED CL 3 UN BRZ AT06
(EXAMPLE ORDER)

ORDER :
WLS-900L

Approved By: _____ Project Name: _____

Location: _____ Date: _____

P.O. Box 100519 | Fort Worth, TX 76185 | www.wslighting.com

WLS LIGHTING SYSTEMS

Consider the Impact!