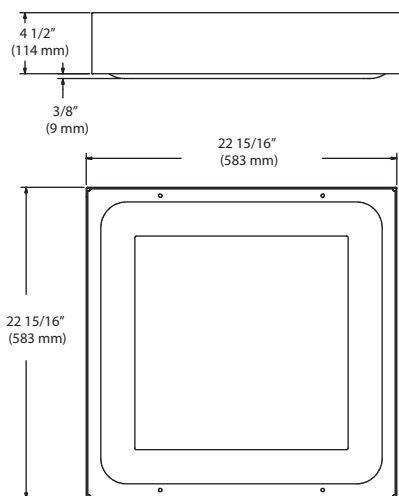




DIMENSIONS



IP67



RoHS
COMPLIANT



Inertek
Suitable for wet locations



SPECIFICATIONS

LEDS - Features an array of select, mid-power, high brightness, high efficiency LED chips; 5000K color temperature, 70 CRI (nominal).

PRESSURE STABILIZING VENT - Luminaire assembly incorporates a pressure stabilizing vent breather to prevent seal fatigue and failure

OPTICAL UNIT - Featuring an ultra-slim 1" profile, housing is die-formed aluminum with a clear tempered glass lens. Unit is water-resistant, sealed to an IP67 rating. Patented integral single blade heat sink does not trap dirt and grime, ensuring cool running performance over the life of the fixture.

DRIVER - State-of-the-art driver technology superior energy-efficiency and optimum light output. Driver components are fully encased in potting for moisture resistance. Drivers feature integral sensor which reduces drive current, when ambient temperatures exceeds rated temperature. Complies with IEC and FCC standards.

HOUSING - One-piece, die-formed, aluminum housing with powder coated finish. One conduit knockout and four mounting holes.

FINISH - Fixtures are finished with WLS's DuraGrip® polyester powder coat finishing process. The DuraGrip finish withstands extreme weather changes without cracking or peeling, and is guaranteed for five full years. Standard color is white.

OPERATING TEMPERATURE - -40°C to -50°C (-40°F to 122°F).

ELECTRICAL - Universal voltage power supply, 120-277 VAC, 50/60 HZ input. LSI drivers feature two-stage surge protection (including separate surge protection built into electronic driver) meets IEEE C62.41.2-2002, Scenario 1, Location Category C.

INSTALLATION - Pre-assembled optical unit and mounting panel attaches to fixture housing via 4 fasteners. Driver is pre-mounted to back of optical assembly.

EXPECTED LIFE - Minimum 60,000 hours to 100,000 hours depending upon the ambient temperature of the installation location.

WARRANTY - WLS LED fixtures carry a limited 5-year warranty.

LISTING - ETL listed to UL1598, UL8750 and other U.S. and International safety standards. Suitable for wet locations.

Approved By: _____ Project Name: _____

Location: _____ Date: _____

P.O. Box 100519 | Fort Worth, TX 76185 | 800.633.8711 | Fax: 817.735.4824 | www.wslighting.com

WLS LIGHTING SYSTEMS

Consider the Impact!

URC LED AMBIENT CANOPY SERIES

ORDERING INFORMATION SELECT APPROPRIATE CHOICE FROM EACH COLUMN TO FORMULATE ORDER CODE. Refer to example below.

SERIES	DISTRIBUTION	LIGHT SOURCE	# OF LEDs	DRIVE CURRENT	LENS	INPUT VOLTAGE	LUMINAIRE FINISH	OPTIONS
URC	S - Symmetrical	LED	HO - High Output VHO - Very High Output		CW - Cool White (5750°K nom.)	UE - Universal Voltage (120-277 AC)	WHT - White BRZ - Bronze BLK - Black	DFL - Diffused Lens SSA - Slope Surface Adaptor TCH - 10' Toggle Cable Hanger NO - No Options

URC

(EXAMPLE ORDER)

S

LED

350

CW

UE

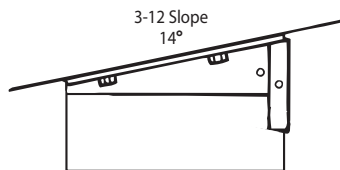
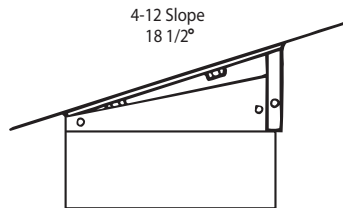
WHT

NO

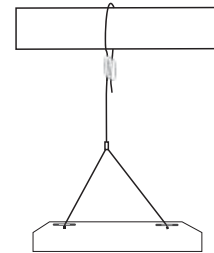
ORDER:
WLS-URC

LIGHT OUTPUT - URC				
		Lumens	Watts	LPW
Cool White	HO - High Output	19,630	150	131
	VHO - Very High Output	23,523	196	120

SLOPE SURFACE ADAPTOR – SSA ACCESSORY



TOGGLE CABLE HANGER



Approved By: _____ Project Name: _____

Location: _____ Date: _____

P.O. Box 100519 | Fort Worth, TX 76185 | 800.633.8711 | Fax: 817.735.4824 | www.wslighting.com

WLS LIGHTING SYSTEMS

Consider the Impact!

01 Rev. 7/10