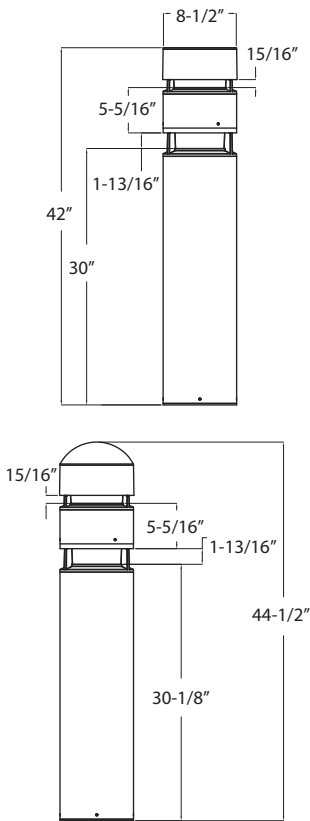




## DIMENSIONS



This product, or selected versions of this product, meet the standards listed below  
Please consult factory for your specific requirements.



ARRA  
Funding Compliant



Suitable for wet locations

## SPECIFICATIONS

**LOWER HOUSING** - One-piece, heavy-walled, extruded aluminum, .322" thick for vandal resistance. Various heights are available in 6" increments starting at 30" (maximum height is 60"). Lower housing attaches to cast aluminum base plate with four stainless steel roll pins.

**CROWN ASSEMBLY** - Flat or domed, heavy cast aluminum. For added security against vandals, crown attaches to lower housing with four captive, concealed 1/4" X 20 Allen-head screws.

**LENS** - 2 one piece heavy walled borosilicate lenses are recessed .764" and protected by three cast ribs for vandal resistance. Exposed portion of top lens is only .934" tall with the lower lens being only 1.831" tall.

**BASE PLATE** - Extra thick, 1/2" cast T6 treated aluminum base is conversion coated and black powder coated for corrosion resistance.

**OPTIONAL ROUGHNECK REINFORCEMENT** - .375" thick zinc plated, steel base plate with welded U shaped reinforcement. 3/8" diameter 302 stainless steel roll pins with 10,000 lb. shear load.

**ANCHOR BOLTS** - Anchor bolts are 3/8" X 10" long heavy duty galvanized steel. Four (4) are furnished.

**LEDs** - 16 or 30 select high-brightness LEDs in Cool White (5000K) or Neutral White (4000K) color temperature, 70 CRI.

**EXPECTED LIFE** - Minimum 60,000 to 100,000 hours depending upon the ambient temperature of the installation location.

**REFLECTOR/DISTRIBUTION** - 360° or 180° distribution.

**ELECTRICAL** - Universal voltage power supply (120-277 VAC, 50/60Hz). 347-480V also available. 350 mA standard. Surge protector meets IEEE C62.41.2-2002, Scenario 1 Location Category C.

**FINISH** - Fixtures are finished with WLS's DuraGrip® polyester powder coat finishing process. The DuraGrip finish withstands extreme weather changes without cracking or peeling.

**OPERATING TEMPERATURE** - -40°C to +50°C (-40°F to +122°F).

**WARRANTY** - WLS LED fixture carries a limited 5-year warranty.

**SHIPPING WEIGHT** - 50 lbs.

**LISTING** - Listed to U.S. and Canada standards. Suitable for wet locations.

Approved By: \_\_\_\_\_ Project Name: \_\_\_\_\_

Location: \_\_\_\_\_ Date: \_\_\_\_\_

1919 Windsor Place ■ Fort Worth, TX 76110 ■ 800.633.8711 ■ Fax: 817.735.4824 ■ www.wslighting.com

**WLS LIGHTING SYSTEMS**

Consider the Impact!

# PBL LED PERFORMANCE BOLLARD SERIES

## ORDERING INFORMATION SELECT APPROPRIATE CHOICE FROM EACH COLUMN TO FORMULATE ORDER CODE. Refer to example below.

SERIES	DISTRIBUTION	LIGHT SOURCE	# OF LEDs	DRIVE CURRENT	COLOR TEMP	INPUT VOLTAGE	FINISH	TOP	OPTIONS
PBL	360°	LED	30	350 - 350mA	<b>CW</b> - Cool White (5000°K nom.) <b>NW</b> - Neutral White (4000°K nom.)	<b>UE</b> - Universal Voltage (120-277) <b>347 - 480</b>	<b>BRZ</b> - Bronze <b>BLK</b> - Black <b>PLO</b> - Platinum Plus <b>WHT</b> - White <b>SVG</b> - Satin Verde Green <b>GPT</b> - Graphite <b>MSV</b> - Metallic Silver <b>CC</b> - Custom Color	<b>FT</b> - Flat Top <b>DT</b> - Domed Top	<b>H</b> - XX (Specify Height) <sup>1</sup> <b>GFR</b> - GFI Duplex Receptacle <b>LAB</b> - Less Anchor Bolts <b>IMS</b> - Integral Motion Sensor <sup>6</sup> <b>PC</b> - Photocell <b>RN</b> - Roughneck Heavy Duty Mtg. Plate <sup>5</sup> <b>BB</b> - Battery Backup <sup>2, 3, 4</sup> <b>CWBB</b> - Cold Weather Battery Backup <sup>2, 3, 4</sup> <b>LPC</b> - Lens Protector Casting painted black <b>ABKIT</b> - Anchor Bolt Kit (BVR) 3/8" x 10" - Galvanized <b>NO</b> - No Options
	180°		16						

**PBL 360 LED 30 350 CW UE BRZ FT NO**  
 (EXAMPLE ORDER)

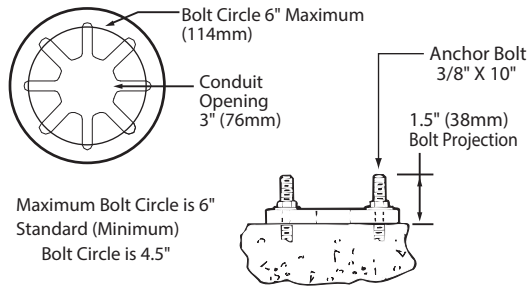
**ORDER:**  
**WLS-PBL** \_\_\_\_\_

### FOOTNOTES:

- 1- Standard height is 42" for FT and 45" for DT. Non-standard heights are available in 6" increments. Minimum height is 30". Maximum height is 60".
- 2- Not available with 180° Distribution.
- 3- Battery Backup & Cold Weather Battery Backup minimum height is 36".
- 4- Battery Backup & Cold Weather Battery Backup is only available in 120-277v.
- 5- Rough Neck option must be entered at time of original order. Can't be switched in the field.
- 6- Not CE marked.

### BASE DETAIL

Note Base plate dimensions may change without notice. Do not use for setting anchor bolts. Consult factory for base plate templates.



Approved By: \_\_\_\_\_ Project Name: \_\_\_\_\_

Location: \_\_\_\_\_ Date: \_\_\_\_\_

1919 Windsor Place ■ Fort Worth, TX 76110 ■ 800.633.8711 ■ Fax: 817.735.4824 ■ www.wslighting.com

**WLS LIGHTING SYSTEMS**

Consider the Impact!