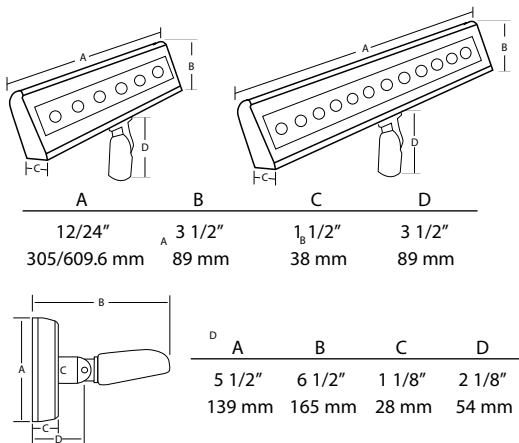




DIMENSIONS



SHIPPING INFORMATION

Catalog Number	G.W(kg)/CTN	Carton Dimensions			Carton Qty. per Master Pack
		Length Inch (cm)	Width Inch (cm)	Height Inch (cm)	
FLA-6LU	9.7 (4.4)	18.5 (47)	14.3 (36.5)	5.7 (14.5)	2
FLAW-6LU-PC	11.4 (5.2)	18.5 (47)	14.3 (36.5)	5.7 (14.5)	2
FLA-12LU	6.5 (2.97)	24.8 (63)	8.8 (22.5)	3.14 (8)	1

SPECIFICATIONS

Intended Use: FLA is excellent for small floodlighting applications such as signs, facade, landscape accent or small area illumination. The compact, low profile size allows the flood to be easily hidden or blend into the landscape environment.

Construction:

- Low copper extruded aluminum construction provides long life in outdoor ground mounted applications. Ribbed design adds styling while dissipating LED and driver heat, providing longer component life.
- Tempered and impact resistant glass lens with decorative silk screen seals to housing with silicone gasket.
- Dark Bronze powder paint finish provides durable and lasting appearance.

Optics/Electrical LED:

- Six or twelve LEDs produce 905 or 1913 lumens at 5000K.
- Wide 6 x 5 beam spread covers three times the set back distance with uniform light.
- Universal voltage driver is 120-277V*, 50/60hz, with 10.1 input watts (FLA-6LU) 21.4 input watts (FLA-12LU)*In Canada, FLA should be used for voltages 120-240 only.

Installation:

- Knuckle mount: Universal 1/2" swivel knuckle has serrated teeth for sure aiming. Knuckle threads are brass insuring quality installation and corrosion resistance
- Wall mount: Cast aluminum cover/quick mount plate and universal adapter allows 3-1/2" or 4" standard junction easy installation to 3-1/2 or 4" boxes.

Listings: Listed to UL 1598 for use in wet locations.

- FLA-6 IP65
- FLA-12 IP64 Warranty: Five year limited warranty .

PERFORMANCE DATA

# OF LEDES	DRIVE CURRENT	CCT	LUMENS	BEAM (H X V)	LPW ¹
6	STD. (470mA)	5K	905	6 x 5	90
12	STD. (470mA)	5K	1913	6 x 5	89

Lumen values are from photometric tests performed in accordance with IESNA LM-79-08. Data is considered to be representative of the configurations shown. Actual performance may differ as a result of end-user environment and application.

Approved By: _____ Project Name: _____

Location: _____ Date: _____

1919 Windsor Place ■ Fort Worth, TX 76110 ■ 800.633.8711 ■ Fax: 817.735.4824 ■ www.wslighting.com

WLS LIGHTING SYSTEMS

Consider the Impact!

FLA LED FLOOD SERIES

ORDERING INFORMATION SELECT APPROPRIATE CHOICE FROM EACH COLUMN TO FORMULATE ORDER CODE. Refer to example below.

SERIES	# OF LEDs	COLOR TEMPERATURE	LUMINAIRE FINISH	LINE VOLTAGE ¹
FLA	6LU - 6 LEDs 12LU - 12 LEDs	5K - 5000K	BZ - Bronze	120-277V
FLAW	6LU - 6 LEDs	5K - 5000K		120V

FLA 6LU 5K BZ 120

(EXAMPLE ORDER)

**ORDER:
WLS-FLA** _____

FOOTNOTES:

1- Unit should not be used above 240V in Canada.

Catalog Number	Wattage	Number of LEDs	Voltage	Lumens	Life	LPW	CCT	Weight lbs. (kg)
1/2" KNUCKLE MOUNT								
FLA-6LU-5K-BZ	10.1	6	120-277V	905	50,000 hrs	90	5000K	4.0 (1.8)
FLA-12LU-5K-BZ	21.4	12	120-277V	1913	50,000 hrs	89	5000K	8.0 (3.6)
WALL MOUNT								
FLAW-6LU-5K-BZ-PC	10.7	6	120V	510	50,000 hrs	48	5000K	4.5 (2.0)

Approved By: _____ Project Name: _____

Location: _____ Date: _____

1919 Windsor Place ■ Fort Worth, TX 76110 ■ 800.633.8711 ■ Fax: 817.735.4824 ■ www.wslighting.com

WLS LIGHTING SYSTEMS

Consider the Impact!