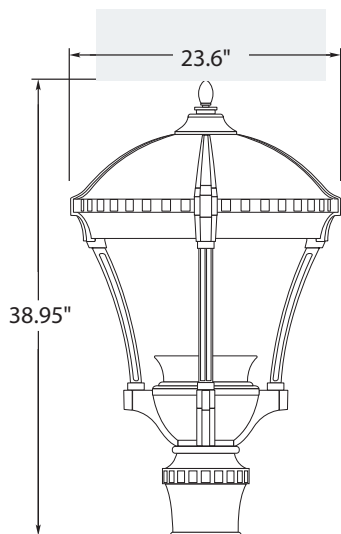




DIMENSIONS



WT : 47 lbs. EPA 1.33



SPECIFICATIONS

HOUSING - Luminaire shall have discrete optical and gear compartments that do not share any psychical housings. All housing components shall be die-cast aluminum, sealed with continous silicone rubber gaskets. Standard configurations do not require a flat lens, optional lenses shall be tempered glass. All internal and external hardware shall be stainless steel. Optical bezel finish shall match the luminaire housing.

OPTICAL - Patent pending MicrCore™ LED modules shall independently aim each light emitting diode (LED) in both horizontal rotation and vertical tilt. LEDs shall be mounted to a metal printed circuit board assembly (PCBA) with a uniform conformal coating over the panel surface and electrical features. LED optics shall be clear injection molded PMMA acrylic. MicroCore™ PCBA and optic shall be sealed to a die-cast anodized aluminum heat sink with an injection molded silicone rubber gasket. IP66. Type 4 distribution with optional House Side Shield not available with clear or diffused glass lenses. Factory installed House Side Shield is optimized for Type 4 distribution and not recommended for use with Type 2 or 3 distribution and not available with type 5 distribution.

CONTROLS - SCP shall have an internal surge protection device with a current rating of 10,000 Ams using the industry standard 8/20uSec wave and sure rating on 372J. Sensor not intended for use with additional photo-control, wireless control or dimming systems.

PHOTOCELL / EGRESS ADAPTER - Adapter(s) shall slip over a 4"/100mm DIA. pole with the luminaire or arm slipping over the adapter to add a total of 4.5"/114mm to the overall height. Adapter(s) shall be prewired. Independently rotatable 359° and have a cast access cover with an integral lens and lanyard. Photocell adapter shall include an internal twist lock receptacle Photocell by others. Egress adapter shall require an axillary 120 volt supply for operation of an integral MR16 lamp in the event of emergency. The lamp may be aimed and locked into position with an adjustment range of 15°-45°. Adapter shall have a socket that accepts miniature bi-pin MR16 lamps up to 50 watts, lamp by others.

SERVICING - Luminaire shall have tool-less service access to the gear compartment. Driver and surge suppressor shall be mounted to a prewired tray with quick disconnects that may be removed front he gear compartment.

ARM MOUNTING - Luminaire shall slip over mounting arm and be secured with three stainless steel 5/16-18 set screws.

FINISH - Luminaire finish shall consist of a five stage pretreatment regimen with a polymer primer sealer, oven dry off and top coated with a thermal super TGIC polyester powder coat finish. Luminaire finish shall meet the AAMA 605.2 performance specification which includes passing a 3000 hour salt spray test for corrosion resistance.

CERTIFICATION - Luminaire shall be listed with ETL for outdoor, wet location use, UL1598, UL8750 and Canadian CSA Std. C22.2 no.250.

Approved By: _____ Project Name: _____

Location: _____ Date: _____

1919 Windsor Place ■ Fort Worth, TX 76110 ■ 800.633.8711 ■ Fax: 817.735.4824 ■ www.wslighting.com

WLS LIGHTING SYSTEMS

Consider the Impact!

PVR SERIES

LED DECORATIVE

ORDERING INFORMATION SELECT APPROPRIATE CHOICE FROM EACH COLUMN TO FORMULATE ORDER CODE. Refer to example below.

SERIES	LIGHT ENGINE	COLOR TEMP	CURRENT	COLOR	VOLTAGE	CONTROLS	OPTIONS	MOUNTING
PVR	T2 - T2-32 LED T3 - T3-32LED T4 - T4-32 LED T5 - T5-32 LED TL - TL-32 LED TR - TR-32 LED	3K - 3000K 4K - 4000K 5K - 5000K	450 - 450mA 700 - 700mA	AWT - Arctic White BLK - Black MTB - Matte Black DGN - Dark Green DBZ - Dark Bronze WRZ - Weathered Bronze BRM - Metallic Bronze VBL - Verde Blue CRT - Corten MAL - Matte Aluminum MDG - Medium Grey ATG - Antique Green LGY - Light Grey RAL/PREMIUM COLOR - Provide a RAL 4 digit color number CC - Custom Color	UE - Universal Voltage (120-277)	PCS-C - Rotatable Photocell-Contemporary PCS-T - Rotatable Photocell-Traditional SCP - Sensor Control Programmable. Pole accessory is available to provide occupancy detection for outdoor applications meeting California Title 24 NC - No Controls	SPK - Decorative Spike BPS - Struts Painted Brass LDL - Lightly Diffused Lens CLR - Clear Flat Lens HSS - House Side Shield PFN - Finial Painted Brass EPA-C - Egress - Contemporary EPA-T - Egress - Traditional PT23 - Slips over a 2-3/8" OD Tenon PT3 - Slips over a 3" OD Tenon NA - No Accessories	WMA7 WMA55 WMA56 WMA57 WMA9U WMA22U TRA5U-4 TRA6U-4 TRA55 TRA55-5 TRA56 TRA57-4 TRA57-5 SLA1 SLA1-2 SLA8U-4 SLA8U-5 SLA22U-4 SLA22U-5 PM1 PM2 PM3 AD5

PVR T5 5K 700 BLK UE NC NO TRA56
(EXAMPLE ORDER)

ORDER:
WLS-PVR _____

LUMINAIRE PERFORMANCE

Optical System	Secondary Lens or Shield	Distribution	Light Engine	Ordering Code												Drive Current	System Watts			
				3K			4K			5K										
				Delivered Lumens	Efficacy (Lm/W)	BUG Rating	Delivered Lumens	Efficacy (Lm/W)	BUG Rating	Delivered Lumens	Efficacy (Lm/W)	BUG Rating								
MicroCore	No Lens (Standard)	TYPE 2	T2-32LED	3796	51	1	0	2	5013	67	2	0	2	5449	73	2	0	3	700	75
		TYPE 3	T3-32LED	3925	52	1	0	2	5183	69	1	0	3	5633	75	1	0	3		
		TYPE 4	T4-32LED	3740	50	0	0	1	4953	66	1	0	2	5375	72	1	0	2		
		TYPE 5	T5-32LED	3814	51	3	0	2	5058	67	3	0	2	5497	73	3	0	2		
		45° L eft	TL-32LED	3887	52	1	0	1	4649	62	1	0	2	5115	68	1	0	2		
		45° R ight	TR-32LED	3887	52	1	0	1	4649	62	1	0	2	5115	68	1	0	2		
	HSS	TYPE 4	T4-32LED	2726	36	0	0	2	3663	49	0	0	2	3911	52	0	0	2	450	48
	No Lens (Standard)	TYPE 2	T2-32LED	2429	51	1	0	2	3208	67	1	0	2	3497	73	1	0	2		
		TYPE 3	T3-32LED	2512	52	1	0	2	3317	69	1	0	2	3605	75	1	0	2		
		TYPE 4	T4-32LED	2394	50	0	0	1	3170	66	0	0	1	3440	72	0	0	1		
		TYPE 5	T5-32LED	2441	51	2	0	1	3237	67	2	0	2	3518	73	2	0	2		
		45° L eft	TL-32LED	2488	52	0	0	1	2976	62	1	0	1	3273	68	1	0	1		
45° R ight	TR-32LED	2488	52	0	0	1	2976	62	1	0	1	3273	68	1	0	1				
HSS	TYPE 4	T4-32LED	1745	36	0	0	1	2344	49	0	0	1	2503	52	0	0	2			

Approved By: _____ Project Name: _____

Location: _____ Date: _____

WLS LIGHTING SYSTEMS

1919 Windsor Place ■ Fort Worth, TX 76110 ■ 800.633.8711 ■ Fax: 817.735.4824 ■ www.wslighting.com

Consider the Impact!